

c:\users\dylanwata\building_drops, inc\building_drops_landing - common\projects\de la fontaine\fbc-22-0614.1 - fbc submittal - hollow metal swing door (hollow metal swing glazed)\inswing glazed\dlf005.dwg 6/21/2024 4:04 PM

DE LA FONTAINE

IN SWING SINGLE GLAZED STEEL DOOR (HVHZ)(IMPACT)



4115 BRODEUR STREET
SHERBROOKE, QC J1L1K4
PH: (819) 821-9230 FX: (819) 569-5928

GENERAL NOTES:

1. THE PRODUCT SHOWN HEREIN IS DESIGNED AND MANUFACTURED TO COMPLY WITH THE CURRENT EDITION FLORIDA BUILDING CODE (FBC), INCLUDING HVHZ AND HAS BEEN EVALUATED ACCORDING TO THE FOLLOWING:
 - TAS 201-94
 - TAS 202-94
 - TAS 203-94
 - ASTM E283-04(12)
 - ASTM E330-14(21)
 - ASTM E1886-19
 - ASTM E1996-17
2. ADEQUACY OF THE EXISTING STRUCTURAL CONCRETE/MASONRY AND 2X FRAMING AS A MAIN WIND FORCE RESISTING SYSTEM CAPABLE OF WITHSTANDING AND TRANSFERRING APPLIED PRODUCT LOADS TO THE FOUNDATION IS THE RESPONSIBILITY OF THE ENGINEER OR ARCHITECT OF RECORD FOR THE PROJECT OF INSTALLATION.
3. 1X AND 2X BUCKS (WHEN USED) SHALL BE DESIGNED AND ANCHORED TO PROPERLY TRANSFER ALL LOADS TO THE STRUCTURE. BUCK DESIGN AND ANCHOR LAYOUT IS THE RESPONSIBILITY OF THE ENGINEER OR ARCHITECT OF RECORD FOR THE PROJECT OF INSTALLATION.
4. THE INSTALLATION DETAILS DESCRIBED HEREIN ARE GENERIC AND MAY NOT REFLECT ACTUAL CONDITIONS FOR A SPECIFIC SITE. IF SITE CONDITIONS CAUSE INSTALLATION TO DEVIATE FROM THE REQUIREMENTS DETAILED HEREIN, A LICENSED ENGINEER OR ARCHITECT SHALL PREPARE SITE SPECIFIC DOCUMENTS FOR USE WITH THIS DOCUMENT.
5. THIS PRODUCT IS LARGE AND SMALL MISSILE IMPACT RESISTANT APPROVED IMPACT PROTECTIVE SYSTEM IS **NOT REQUIRED** ON THIS PRODUCT IN AREAS REQUIRING IMPACT RESISTANCE.

CONSTRUCTION NOTES:

1. DOOR CONSTRUCTION:
 - 1.1. PANEL MATERIAL: 18 GA. A40/A60/G90 GALV. STEEL MIN. (0.042" MIN.)
 - 1.2. OVERALL PANEL THICKNESS: MIN. 1 3/4 INCH TO MAX. 2 1/4 INCH
 - 1.3. DOOR CORES:
 - 1.3.1. HONEYCOMB
 - 1.3.2. POLYSTYRENE
 - 1.3.3. POLYURETHANE
 - 1.3.4. STEEL STIFFENED (POLYSTYRENE OR POLYURETHANE)
 - 1.4. EDGE SEAMS:
 - 1.4.1. STANDARD LOCK WELDED AT THE TOP AND BOTTOM.
 - 1.4.3. STANDARD LOCK WITH EPOXY FILLED AND GRINDED SMOOTH SEAM
 - 1.4.4. CONTINUOUS WELD LOCK SEAM
 - 1.5. TWO (2) TOP AND ONE (1) BOTTOM CHANNELS ARE 16 GA. STEEL AND ARE SPOT WELDED TO EACH FACE SHEET 3" O.C.
 - 1.6. HINGES:
 - 1.6.1. HAGER BB1191
 - 1.6.2. HAGER BB1168
 - 1.6.3. HAGER BB1199
 - 1.6.4. HAGER BB1279
 - 1.6.5. HAGER 780-112 ROTON
 - 1.7. HINGE REINFORCEMENTS ARE LOCATED AT EACH HINGE LOCATION.
 - 1.8. LOCK REINFORCEMENTS ARE USED WHEN APPLICABLE.
2. FRAME CONSTRUCTION:
 - 2.1. FRAME MATERIAL: 16 GA. A40/A60/G90 GALV. STEEL MIN. (0.054" MIN.)
 - 2.2. FRAME DEPTH: 5.75" MIN. (DOUBLE RETURNS QUALIFIED)
 - 2.3. CORNER CONSTRUCTION:
 - 2.3.1. KNOCK-DOWN
 - 2.3.2. FACE WELD
 - 2.3.3. FULL WELD
 - 2.4. HINGE REINFORCEMENT IS LOCATED AT EACH HINGE LOCATION.
 - 2.5. LOCK STRIKE REINFORCEMENTS ARE USED WHEN APPLICABLE.

TABLE OF CONTENTS	
SHEET	SHEET DESCRIPTION
1	GENERAL & CONSTRUCTION NOTES
2	GLAZING DETAIL & ANCHOR LAYOUT
3	ELEVATIONS
4	ANCHOR LAYOUTS & NOTES
5	VERTICAL SECTIONS
6	HORIZONTAL SECTIONS
7	INSTALLATION DETAILS - COMBINATION AND Z ANCHORS
8	INSTALLATION DETAILS - EWA ANCHORS
9	INSTALLATION DETAILS - WIRE/T MASONRY & JAMB BASE ANCHORS
10	INSTALLATION DETAILS & NOTES
11	GASKETING DETAILS FOR AIR INFILTRATION
12	THRESHOLD DETAIL & ANCHOR LAYOUT
13	CORNER CONSTRUCTION
14	REINFORCEMENTS
15	REINFORCEMENTS
16	BILL OF MATERIAL

FLORIDA BUILDING CODE DESIGN PRESSURES					
CONFIGURATION	LATCHING HARDWARE TYPE	LATCHING HARDWARE SERIES	*WHERE WATER INFILTRATION IS NOT REQUIRED OR IS PROTECTED BY OVERHANG	WHERE WATER INFILTRATION REQUIREMENT IS NEEDED OR IS NOT PROTECTED BY OVERHANG	MISSILE IMPACT RATING
SINGLE	CYLINDRICAL LOCKSET	SCHLAGE D/ND	+/- 70 PSF		LARGE AND SMALL MISSILE IMPACT RATED
		SARGENT 11	+/- 70 PSF		
	MORTISE LOCKSET WITH DEADBOLT	SCHLAGE L9000	+/- 70 PSF		
		SARGENT 8200	+/- 70 PSF		

*NOTE: UNIT SHALL BE INSTALLED IN NON-HABITABLE LOCATIONS OR AT LOCATION PROTECTED BY OVERHANG SUCH THAT OVERHANG RATIO (OH) = OH LENGTH /OH HEIGHT GREATER THAN 1.

TITLE: IN SWING SINGLE GLAZED STEEL DOOR (HVHZ) (IMPACT)

GENERAL & CONSTRUCTION NOTES

PREPARED BY: BUILDING DROPS, INC.
1900 NE MIAMI COURT, STE. 2-15
MIAMI, FL 33132
PH: (954)399-8478
FAX: (954)744-4738
WEB: www.buildingdrops.com

REMARKS	BY	DATE

THE INSTALLATION DETAILS DESCRIBED HEREIN ARE GENERIC AND MAY NOT REFLECT ACTUAL CONDITIONS FOR A SPECIFIC SITE. IF SITE CONDITIONS CAUSE INSTALLATION TO DEVIATE FROM THE REQUIREMENTS DETAILED HEREIN, A LICENSED ENGINEER OR ARCHITECT SHALL PREPARE SITE SPECIFIC DOCUMENTS FOR USE WITH THIS DOCUMENT.

HERMES F. NORERO, P.E.
FLORIDA PROFESSIONAL ENGINEER
BUILDING DROPS, INC.
1900 NE MIAMI COURT # 2-15
MIAMI, FL 33132
FBPE CERT. OF AUTHORIZATION No. 29578

FL46851

DATE: **06.20.24**

DWG. BY: **DI** CHK. BY: **HFN**

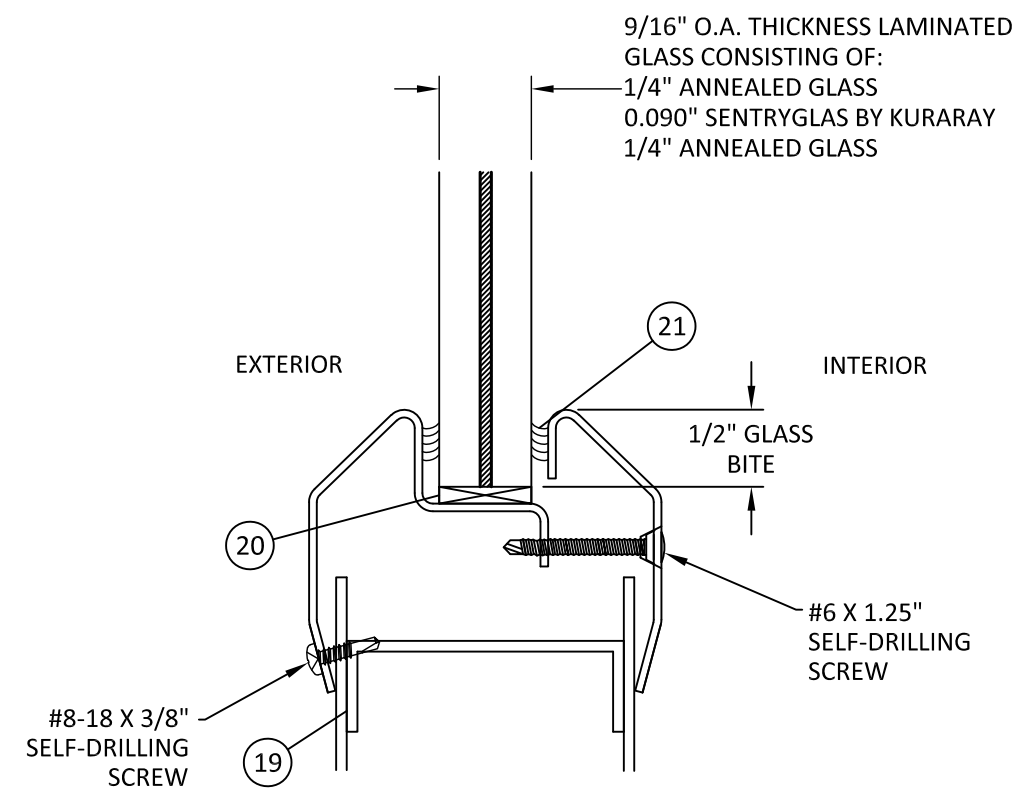
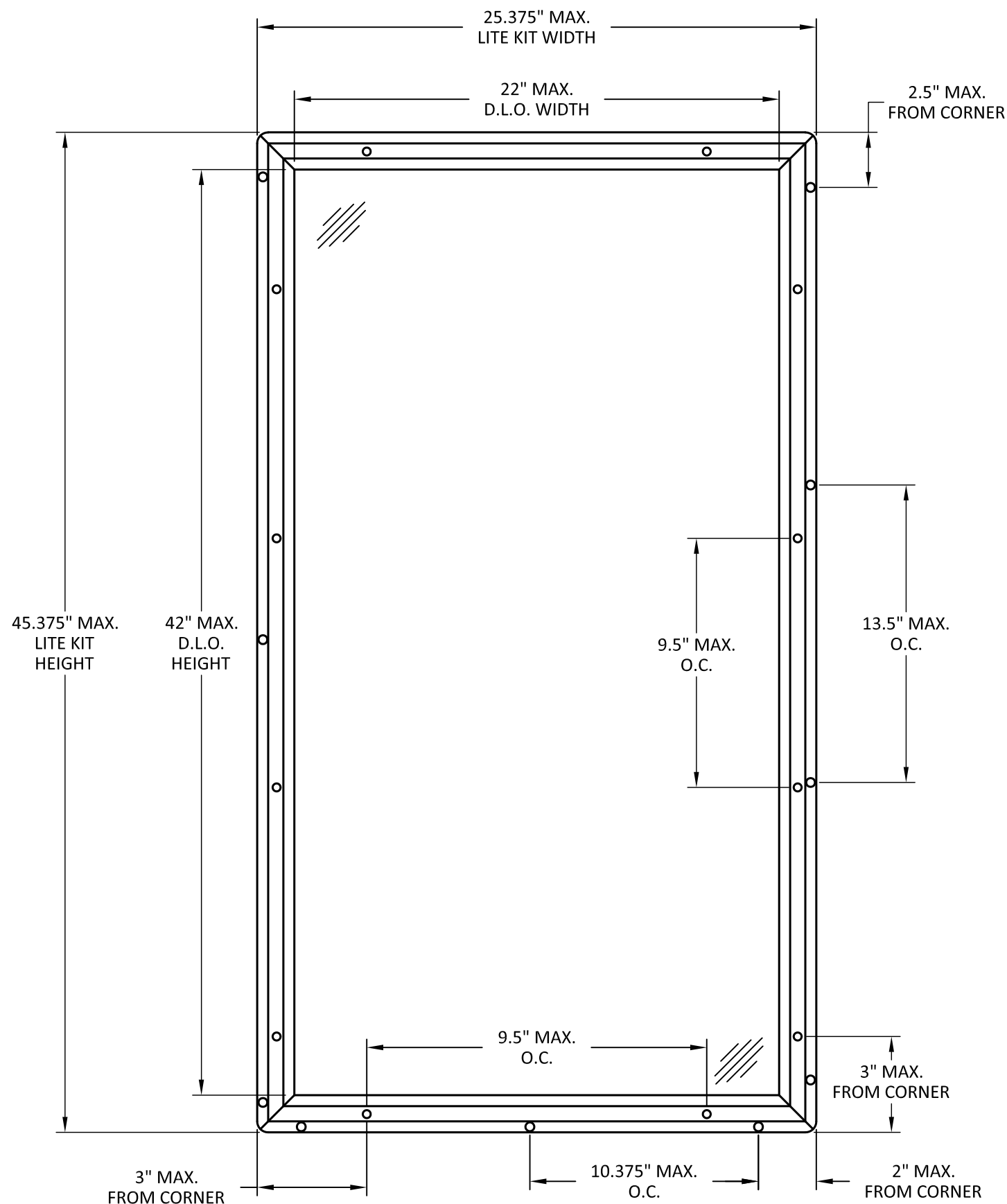
SCALE: **NTS**

DWG. #: **DLF005**

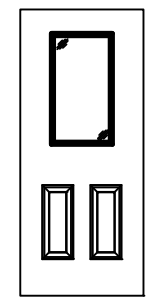
SHEET: 1

OF 16

c:\users\dyanwata\building_drops, inc\building_drops landing - common\projects\de la fontaine\fbc-22-0614.1 - fbc submittal - hollow metal swing door (s-cs)\dwg\inswing glazed\dlf005.dwg 6/21/2024 4:04 PM



GLAZING DETAIL



AVAILABLE DOOR PANEL CONFIGURATIONS

NOTE: CUSTOM EMBOSSED AVAILABLE. CONTACT MANUFACTURER FOR MORE INFORMATION.



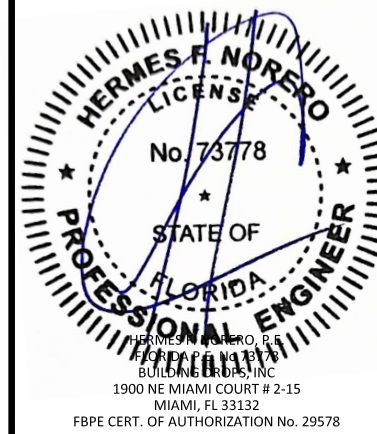
4115 BRODEUR STREET
 SHERBROOKE, QC J1L1K4
 PH: (819) 821-9230 FX: (819) 569-5928

TITLE: INSWING SINGLE GLAZED STEEL DOOR (HVHZ) (IMPACT)
GLAZING DETAIL & ANCHOR LAYOUT

PREPARED BY: BUILDING DROPS, INC.
 1900 NE MIAMI COURT, STE. 2-15
 MIAMI, FL 33132
 PH: (954) 359-8478
 FAX: (954) 744-4738
 WEB: www.buildingdrops.com

REMARKS	BY	DATE

THE INSTALLATION DETAILS DESCRIBED HEREIN ARE GENERIC AND MAY NOT REFLECT ACTUAL CONDITIONS FOR A SPECIFIC SITE. IF SITE CONDITIONS CAUSE INSTALLATION TO DEVIATE FROM THE REQUIREMENTS DETAILED HEREIN, A LICENSED ENGINEER OR ARCHITECT SHALL PREPARE SITE SPECIFIC DOCUMENTS FOR USE WITH THIS DOCUMENT.

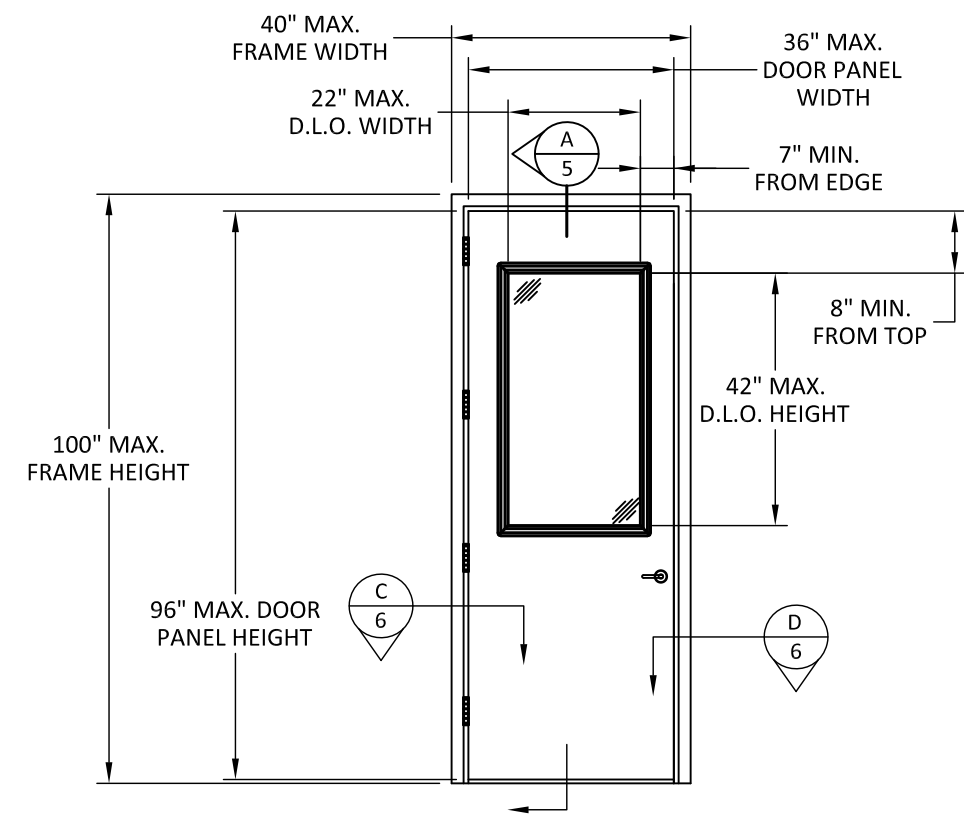


FL46851

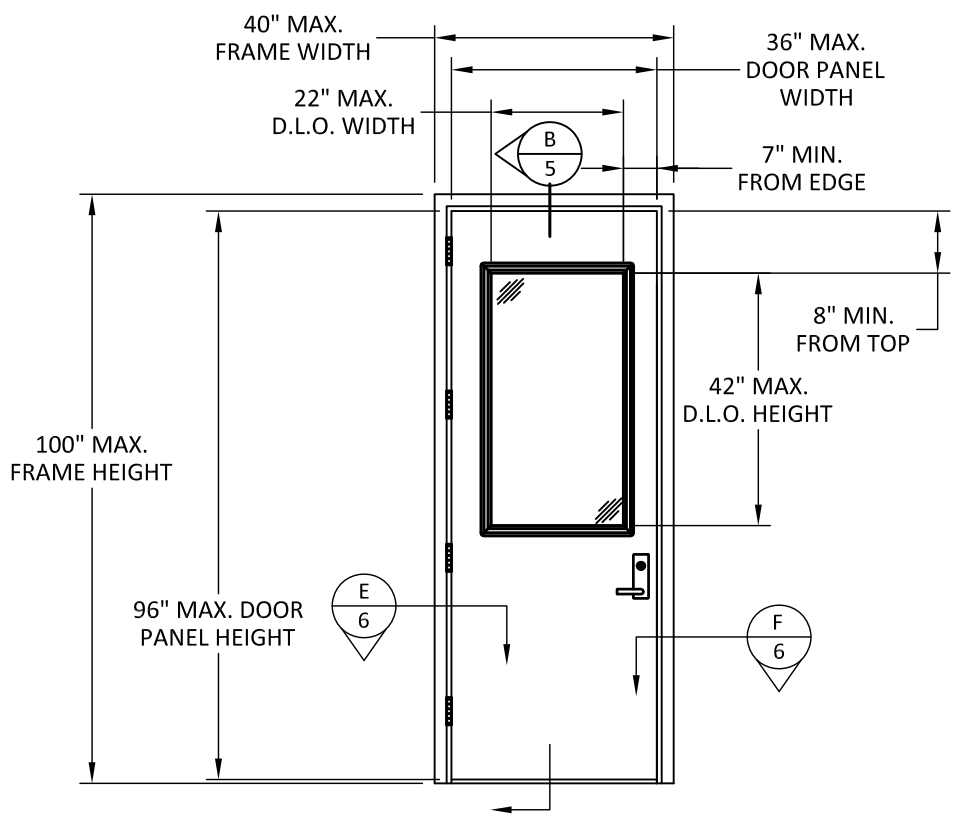
DATE:	06.20.24
DWG. BY:	DI
CHK. BY:	HFN
SCALE:	NTS
DWG. #:	DLF005

SHEET: **2** OF 16

c:\users\dylanwata\building_drops, inc\building_drops landing - common\projects\de la fontaine\bc-22-0614.1 - fbc submittal - hollow metal swing door (s-cs)\dwg\inswing_glazed\dlf005.dwg 6/21/2024 4:04 PM



ELEVATION A
CYLINDRICAL LOCK



ELEVATION B
MORTISE LOCKSET WITH DEAD BOLT

NOTE: MAXIMUM FRAME HEIGHT TO BE 100" WHEN OPTIONAL 4" HEADER FRAME IS USED. USE WITH FULLY WELDED OR FACE WELDED CORNERS ONLY.

TITLE: INSWING SINGLE GLAZED STEEL DOOR (HVHZ) (IMPACT) ELEVATIONS

PREPARED BY: BUILDING DROPS, INC.
1900 NE MIAMI COURT, STE. 2-15
MIAMI, FL 33132
PH: (954)399-8478
FAX: (954)744-4738
WEB: www.buildingdrops.com

REMARKS	BY	DATE

THE INSTALLATION DETAILS DESCRIBED HEREIN ARE GENERIC AND MAY NOT REFLECT ACTUAL CONDITIONS FOR A SPECIFIC SITE. IF SITE CONDITIONS CAUSE INSTALLATION TO DEVIATE FROM THE REQUIREMENTS DETAILED HEREIN, A LICENSED ENGINEER OR ARCHITECT SHALL PREPARE SITE SPECIFIC DOCUMENTS FOR USE WITH THIS DOCUMENT.

HERMES F. NORERO, P.E.
1900 NE MIAMI COURT # 2-15
MIAMI, FL 33132
FBPE CERT. OF AUTHORIZATION No. 29578

FL46851

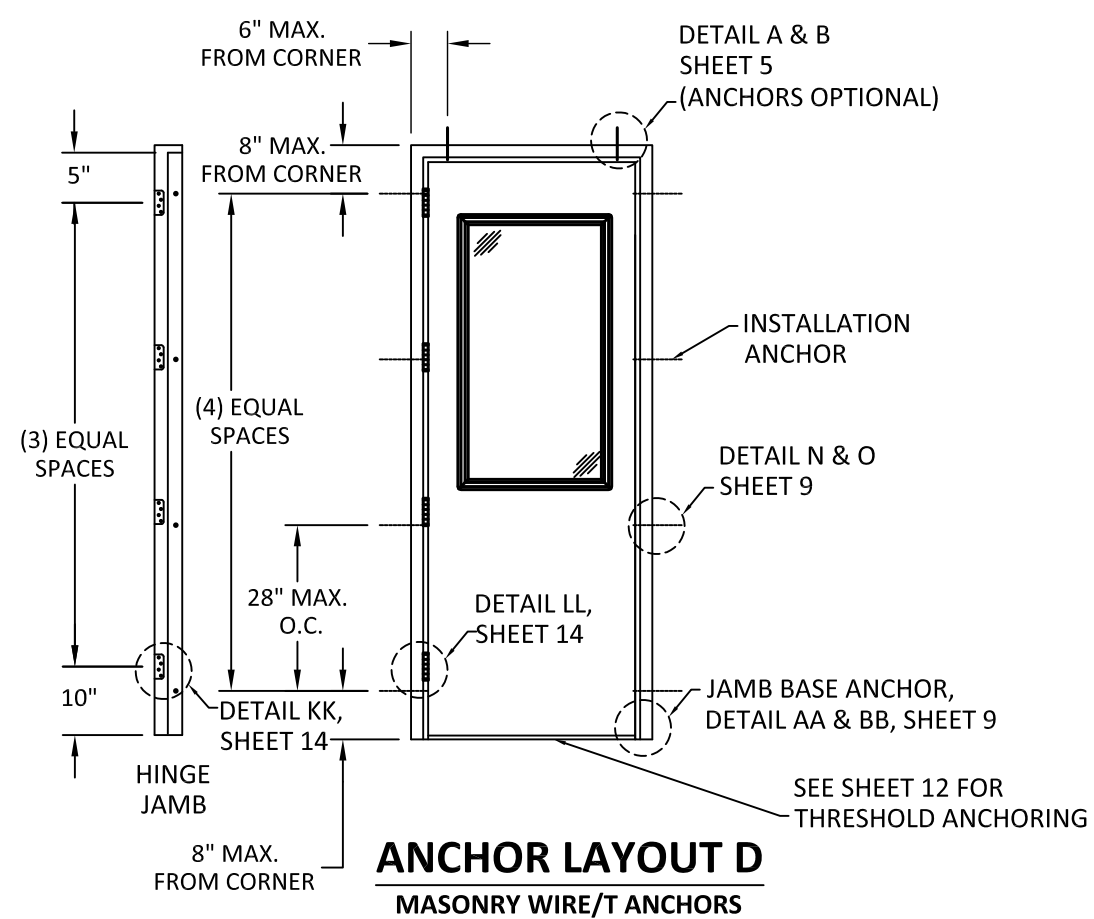
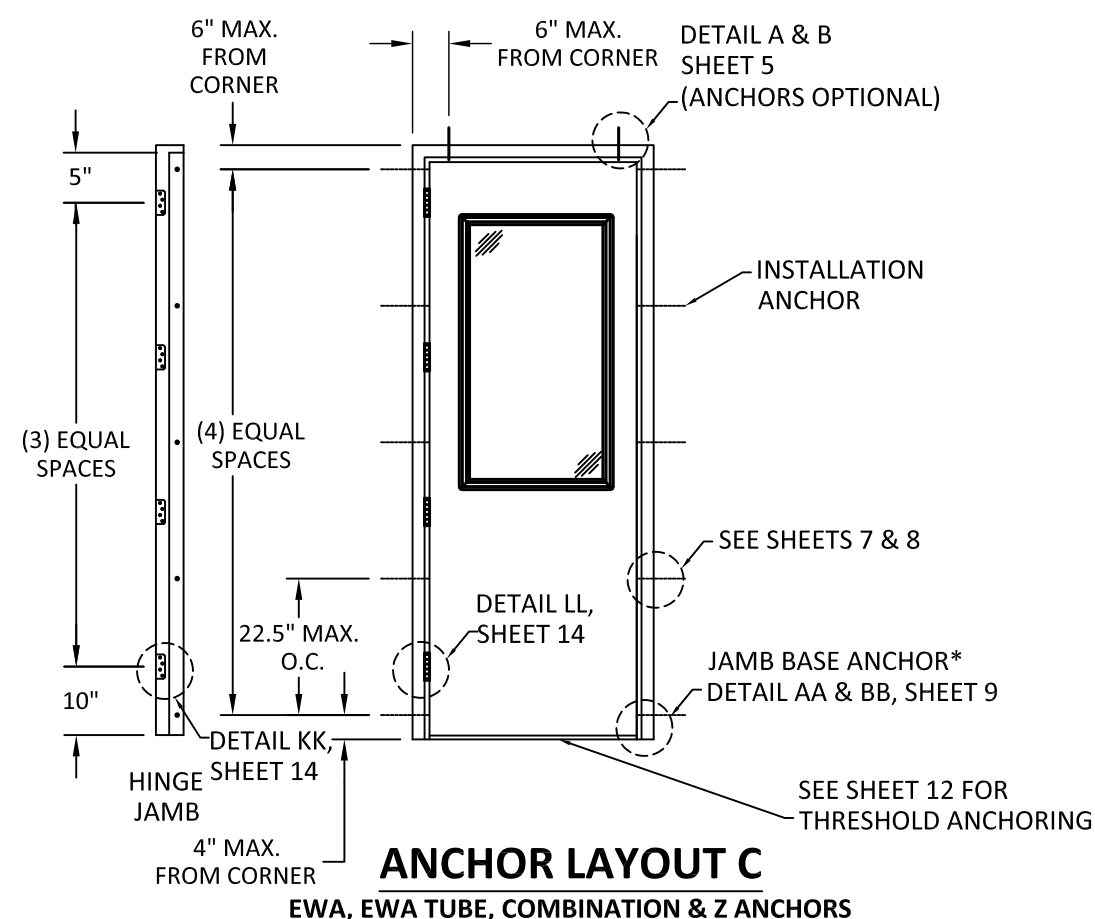
DATE:	06.20.24
DWG. BY:	DI
CHK. BY:	HFN
SCALE:	NTS
DWG. #:	DLF005

SHEET: 3 OF 16

c:\users\dylanwata\building_drops, inc\building_drops landing - common\projects\de la fontaine\fb-22-0614.1 - fbc submittal - hollow metal swing door (s-cs)\dwg\inswing_glazed\dlf005.dwg 6/21/2024 4:04 PM

TITLE: INSWING SINGLE GLAZED STEEL DOOR (HVHZ) (IMPACT)
ANCHOR LAYOUT AND NOTES

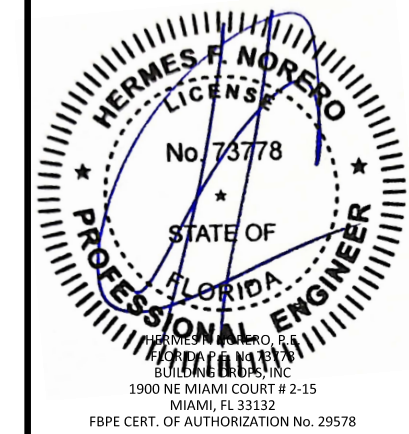
PREPARED BY: BUILDING DROPS, INC.
1900 NE MIAMI COURT, STE. 2-15
MIAMI, FL 33132
PH: (954) 359-8478
FAX: (954) 744-4738
WEB: www.buildingdrops.com



NOTES:
* JAMB BASE ANCHOR IS ONLY REQUIRED FOR MASONRY WIRE/T, COMBINATION & Z ANCHORS. NOT REQUIRED FOR EWA ANCHORS

REMARKS	BY	DATE

THE INSTALLATION DETAILS DESCRIBED HEREIN ARE GENERIC AND MAY NOT REFLECT ACTUAL CONDITIONS FOR A SPECIFIC SITE. IF SITE CONDITIONS CAUSE INSTALLATION TO DEVIATE FROM THE REQUIREMENTS DETAILED HEREIN, A LICENSED ENGINEER OR ARCHITECT SHALL PREPARE SITE SPECIFIC DOCUMENTS FOR USE WITH THIS DOCUMENT.



FL46851	
DATE:	06.20.24
DWG. BY:	DI
CHK. BY:	HFN
SCALE:	NTS
DWG. #:	DLF005
SHEET:	4
OF 16	

c:\users\dyanawata\building_drops, inc\building_drops landing - common\projects\de la fontaine\bc-22-0614.1 - fbc submittal - hollow metal swing door is-cs\dwg\inswing_glazed\dlf005.dwg 6/21/2024 4:04 PM

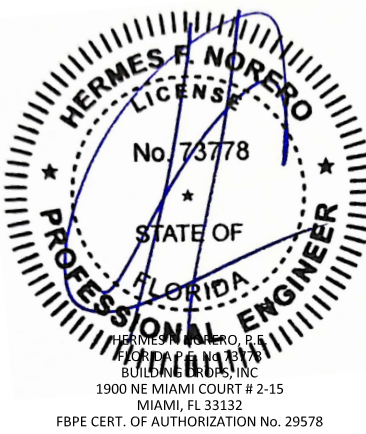
**NOTE: EWA TUBE SHOWN.
EWA IS QUALIFIED FOR ALL
INSTALLATION SUBSTRATES
SHOWN.**

TITLE: **INSWING SINGLE GLAZED
STEEL DOOR
(HVHZ) (IMPACT)**
VERTICAL SECTIONS

PREPARED BY: **BUILDING DROPS, INC.**
1900 NE MIAMI COURT, STE. 2-15
MIAMI, FL 33132
PH: (954) 359-8478
FAX: (954) 744-4738
WEB: www.buildingdrops.com

REMARKS	BY	DATE

THE INSTALLATION DETAILS DESCRIBED HEREIN ARE GENERIC AND MAY NOT REFLECT ACTUAL CONDITIONS FOR A SPECIFIC SITE. IF SITE CONDITIONS CAUSE INSTALLATION TO DEVIATE FROM THE REQUIREMENTS DETAILED HEREIN, A LICENSED ENGINEER OR ARCHITECT SHALL PREPARE SITE SPECIFIC DOCUMENTS FOR USE WITH THIS DOCUMENT.



FL46851

DATE: **06.20.24**

DWG. BY: **DI** CHK. BY: **HFN**

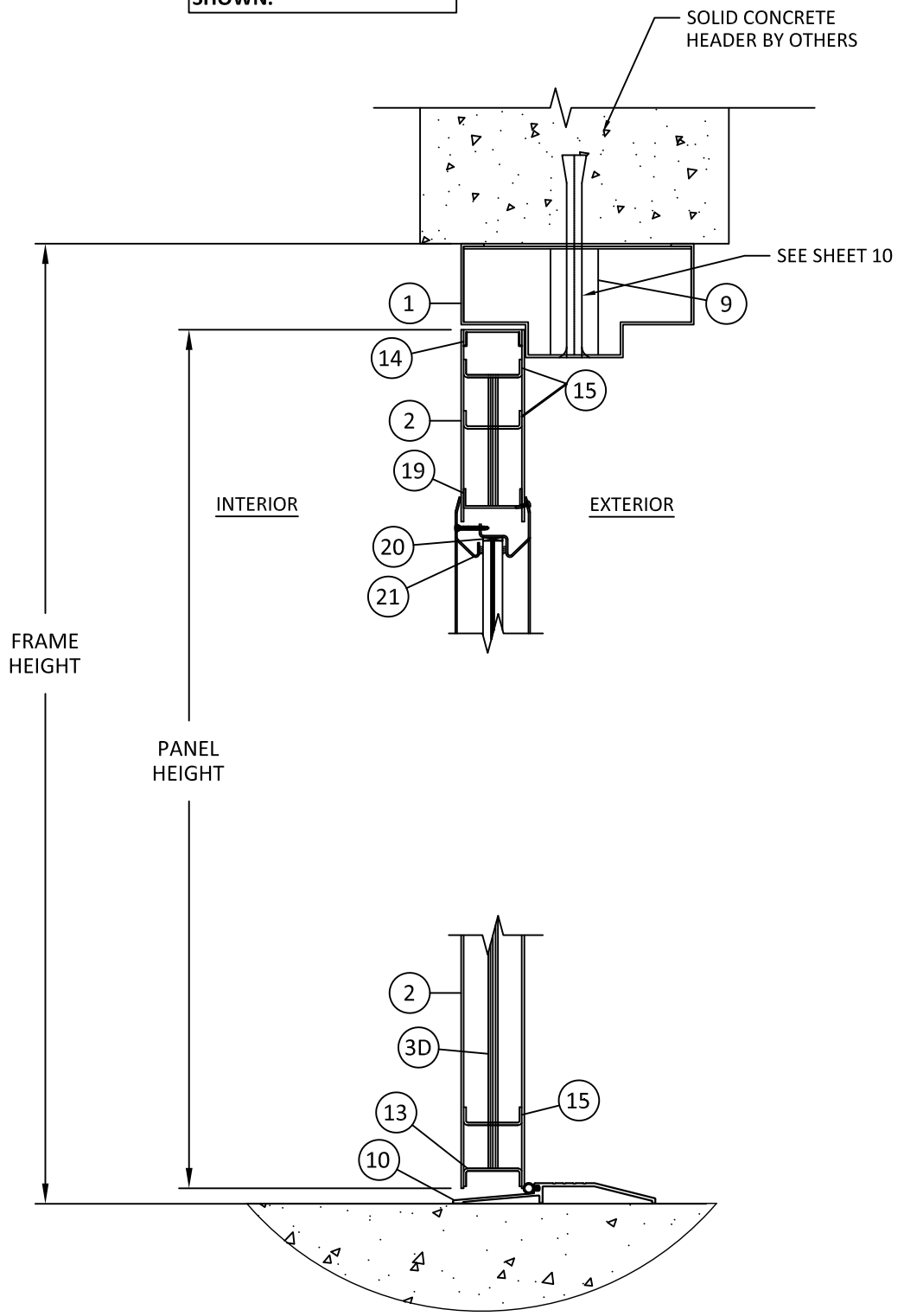
SCALE: **NTS**

DWG. #: **DLF005**

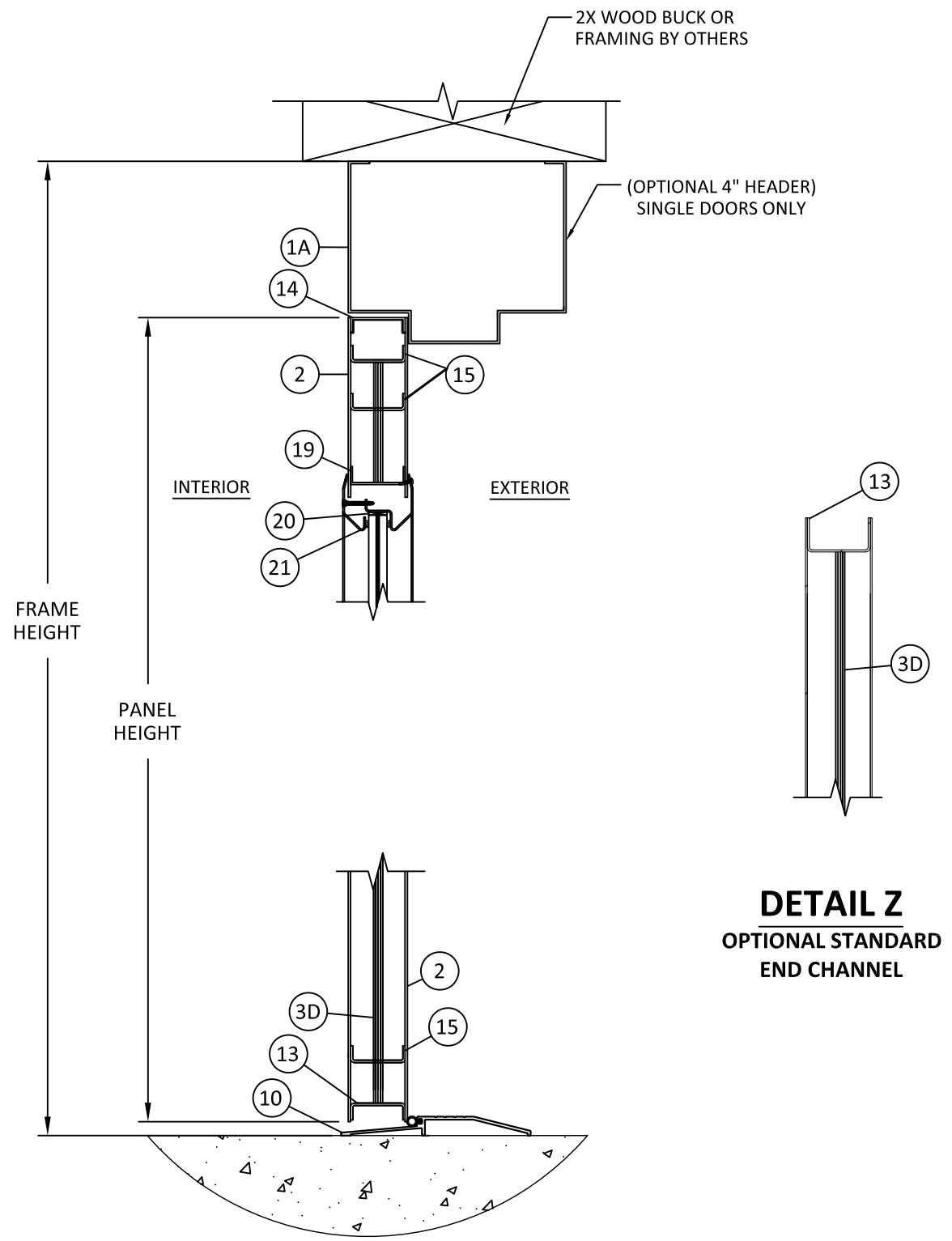
SHEET:

5

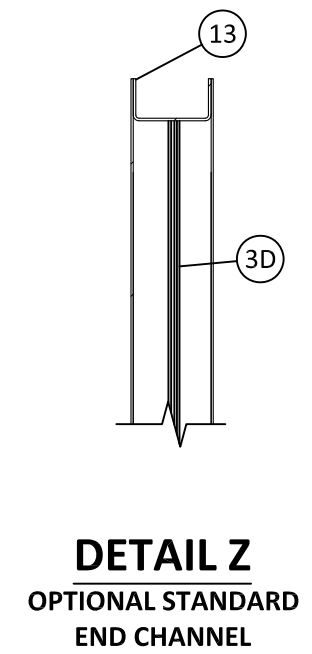
OF 16



A
5 **VERTICAL SECTION**
HEAD/SILL - CONCRETE/MASONRY
(CYLINDRICAL LOCK OR
MORTISE LOCK WITH DEADBOLT)

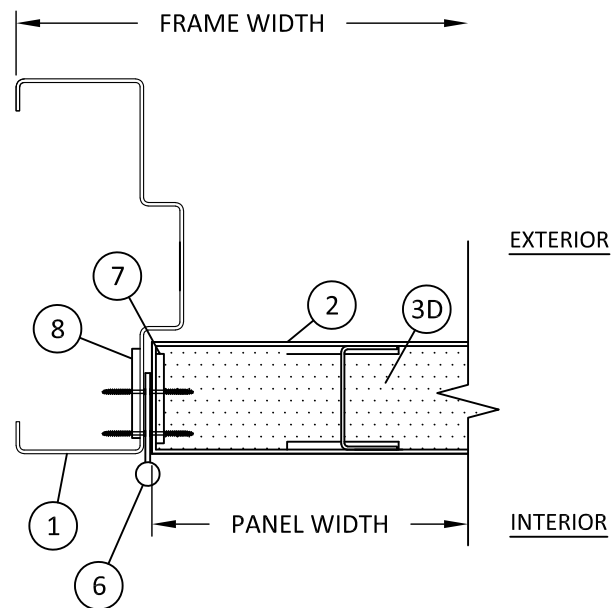


B
5 **VERTICAL SECTION**
HEAD - 2X WOOD FRAME
SILL - CONCRETE

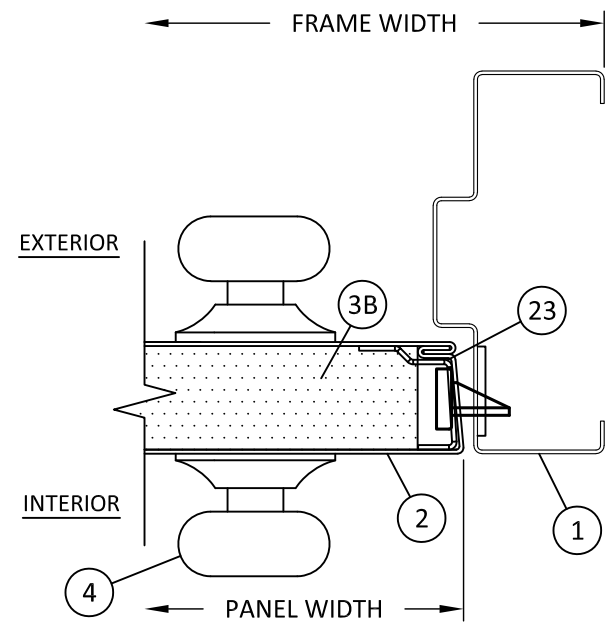


DETAIL Z
OPTIONAL STANDARD
END CHANNEL

c:\users\dylanwata\building_drops, inc\building_drops_landing - common\projects\de la fontaine\fbc-22-0614.1 - fbc submittal - hollow metal swing door - hollow metal swing door (hollow metal glazed)\dlf005.dwg 6/21/2024 4:04 PM

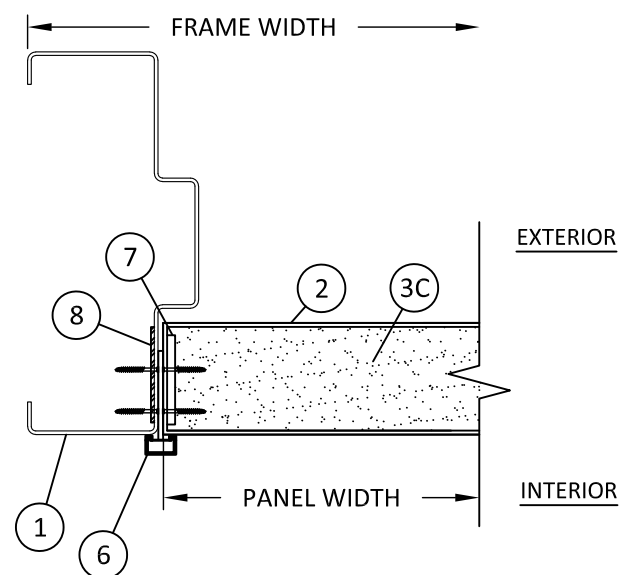


C
6 HORIZONTAL SECTION
BUTT HINGE JAMB

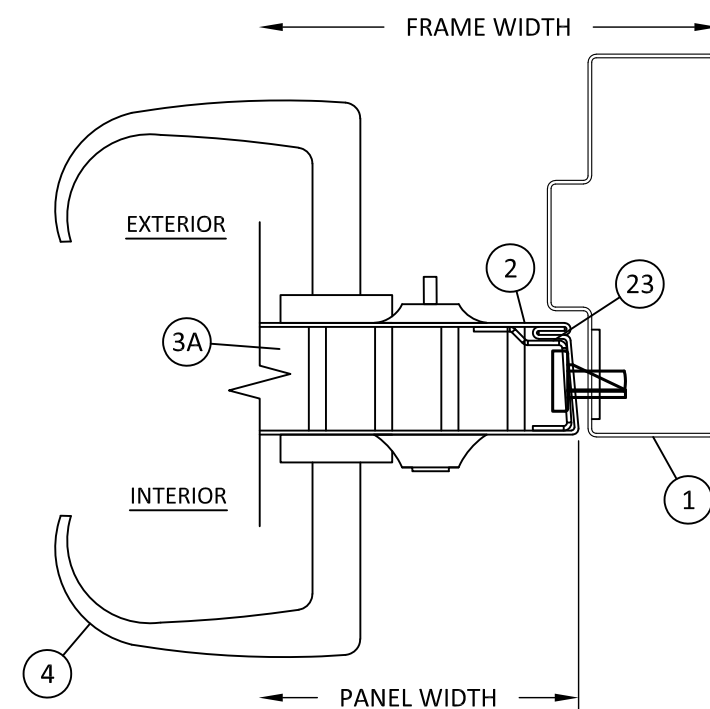


D
6 HORIZONTAL SECTION
CYLINDRICAL LOCK
LOCK JAMB

NOTE: DETAILS SHOWN WITH VARYING DOOR CORE TYPES. ANY DETAIL IS APPROVED TO BE USED WITH ANY CORE TYPE.



E
6 HORIZONTAL SECTION
CONTINUOUS HINGE JAMB



F
6 HORIZONTAL SECTION
MORTISE LOCK WITH DEADBOLT
LOCK JAMB

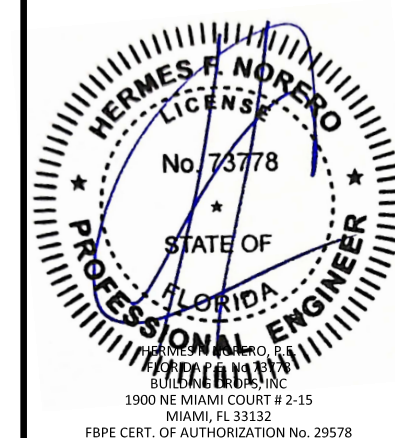
TITLE: INSWING SINGLE GLAZED
STEEL DOOR
(HVHZ) (IMPACT)
HORIZONTAL SECTIONS

PREPARED BY:
BUILDING DROPS, INC.
1900 NE MIAMI COURT, STE. 2-15
MIAMI, FL 33132
PH: (954) 359-8478
FAX: (954) 744-4738
WEB: www.buildingdrops.com



REMARKS	BY	DATE

THE INSTALLATION DETAILS DESCRIBED HEREIN ARE GENERIC AND MAY NOT REFLECT ACTUAL CONDITIONS FOR A SPECIFIC SITE. IF SITE CONDITIONS CAUSE INSTALLATION TO DEVIATE FROM THE REQUIREMENTS DETAILED HEREIN, A LICENSED ENGINEER OR ARCHITECT SHALL PREPARE SITE SPECIFIC DOCUMENTS FOR USE WITH THIS DOCUMENT.



FL46851

DATE: 06.20.24

DWG. BY: DI
CHK. BY: HFN

SCALE: NTS

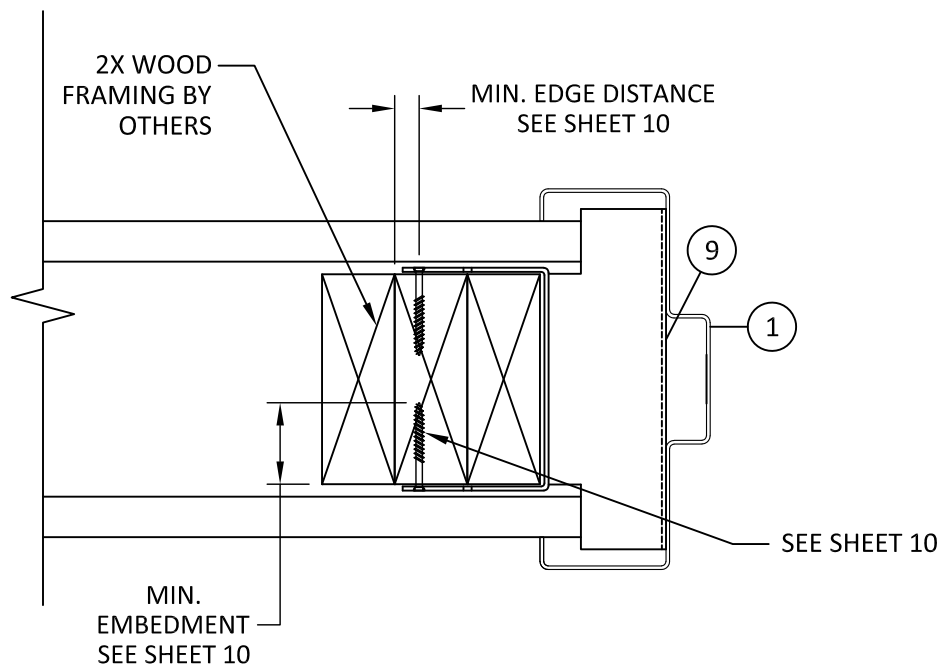
DWG. #: DLF005

SHEET:

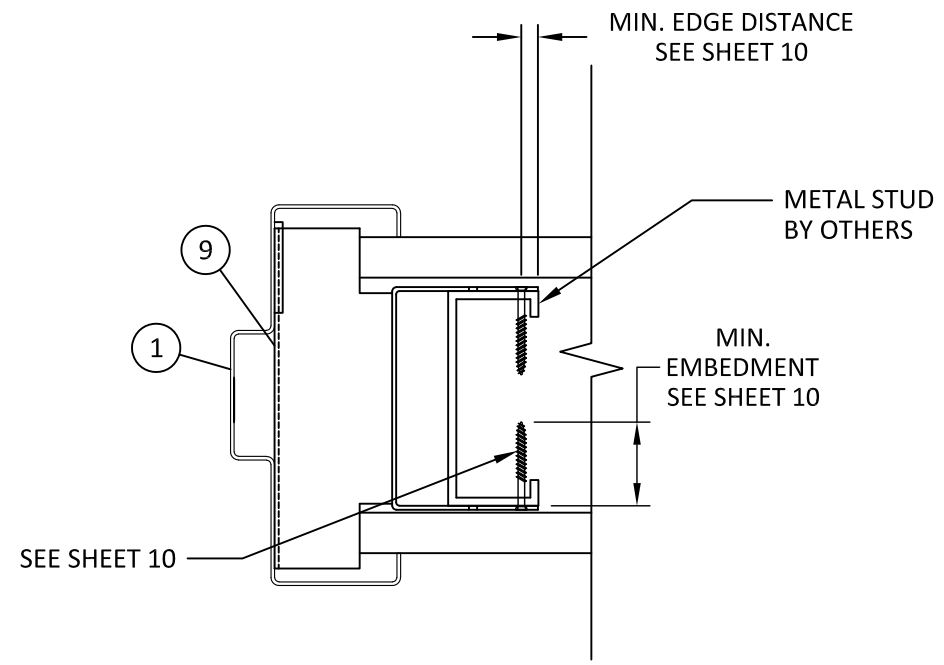
6

OF 16

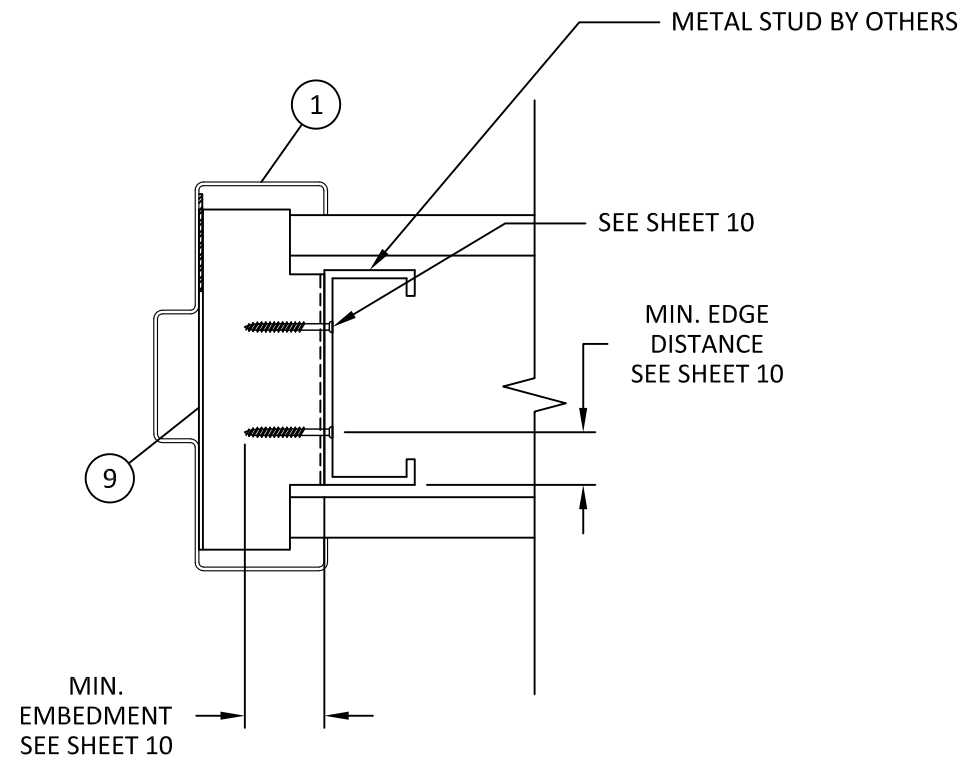
c:\users\dylanwata\building_drops, inc\building_drops_landing - common\projects\de la fontaine\fbc-22-0614.1 - fbc submittal - hollow metal swing door (s-cs)\dwg\inswing_glazed\dlf005.dwg 6/21/2024 4:04 PM



G
7 **HORIZONTAL SECTION**
COMBINATION ANCHOR
WOOD STUD



H
7 **HORIZONTAL SECTION**
COMBINATION ANCHOR
METAL STUD



I
7 **HORIZONTAL SECTION**
Z ANCHOR
METAL STUD



4115 BRODEUR STREET
SHERBROOKE, QC J1L1K4
PH: (819) 821-9230 FX: (819) 569-5928

TITLE: INSWING SINGLE GLAZED
STEEL DOOR
(HVHZ) (IMPACT)

INSTALLATION DETAILS - COMBINATION
AND Z ANCHORS

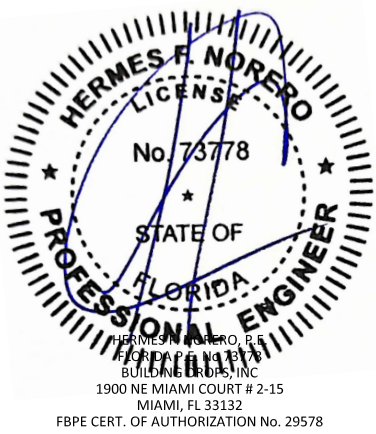
PREPARED BY:

BUILDING DROPS, INC.
1900 NE MIAMI COURT, STE. 2-15
MIAMI, FL 33132
PH: (954)399-8478
FAX: (954)744-4738
WEB: www.buildingdrops.com



REMARKS	BY	DATE

THE INSTALLATION DETAILS DESCRIBED HEREIN ARE GENERIC AND MAY NOT REFLECT ACTUAL CONDITIONS FOR A SPECIFIC SITE. IF SITE CONDITIONS CAUSE INSTALLATION TO DEVIATE FROM THE REQUIREMENTS DETAILED HEREIN, A LICENSED ENGINEER OR ARCHITECT SHALL PREPARE SITE SPECIFIC DOCUMENTS FOR USE WITH THIS DOCUMENT.



FL46851

DATE: **06.20.24**

DWG. BY: **DI** CHK. BY: **HFN**

SCALE: **NTS**

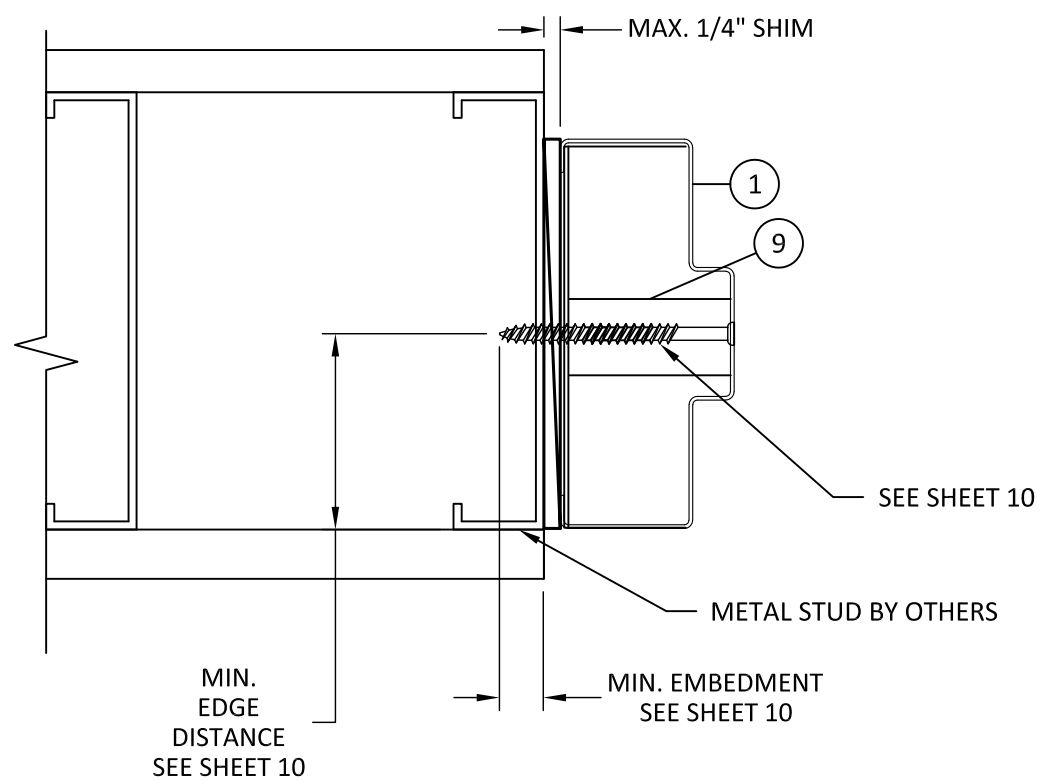
DWG. #: **DLF005**

SHEET:

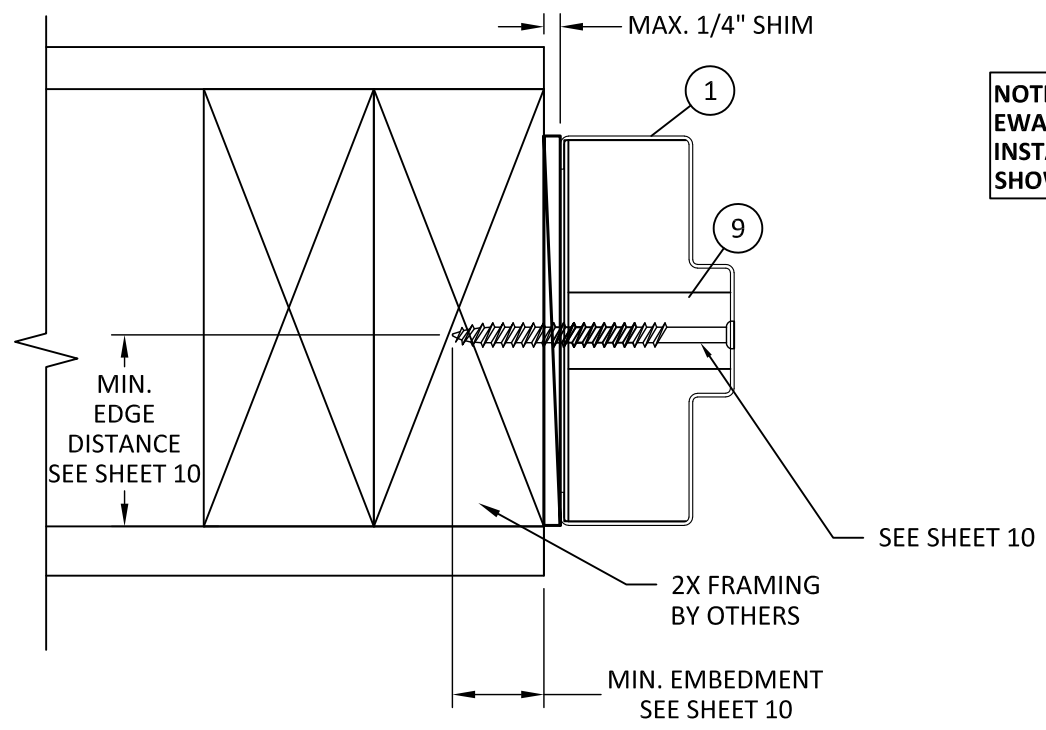
7

OF 16

c:\users\dylanwata\building_drops, inc\building_drops landing - common\projects\de la fontaine\fbc-22-0614.1 - fbc submittal - hollow metal swing door - hollow metal swing glazed\dlf005.dwg 6/21/2024 4:04 PM

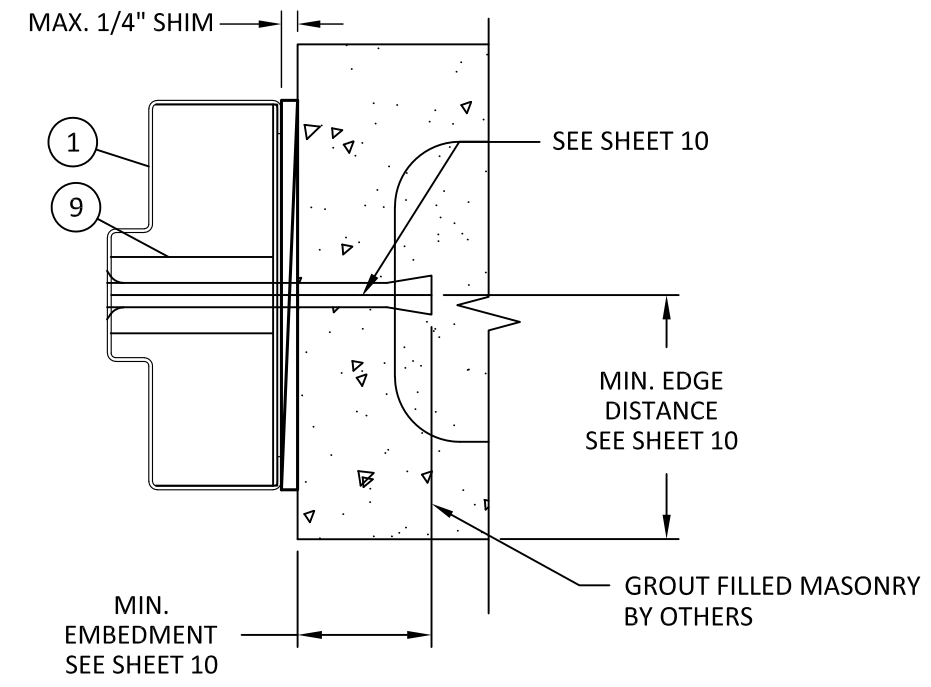


J
8 **HORIZONTAL SECTION**
EWA TUBE ANCHOR
METAL STUD

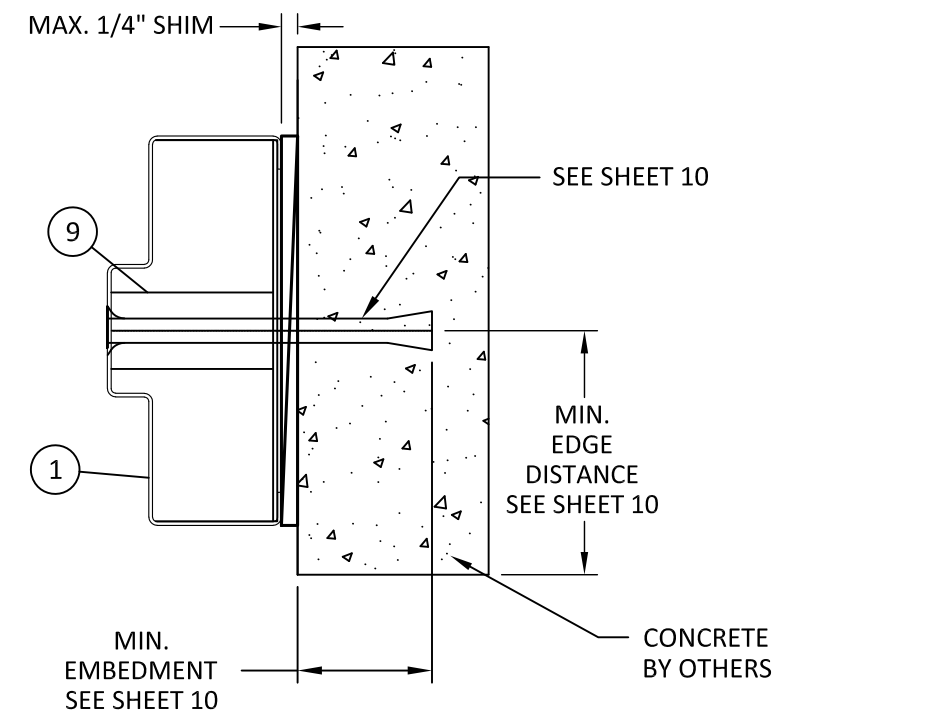


L
8 **HORIZONTAL SECTION**
EWA TUBE ANCHOR
WOOD STUD

**NOTE: EWA TUBE SHOWN.
EWA IS QUALIFIED FOR ALL
INSTALLATION SUBSTRATES
SHOWN.**



K
8 **HORIZONTAL SECTION**
EWA TUBE ANCHOR
CONCRETE MASONRY UNIT



M
8 **HORIZONTAL SECTION**
EWA TUBE ANCHOR
CONCRETE

TITLE: INSWING SINGLE GLAZED STEEL DOOR (HVHZ) (IMPACT)

INSTALLATION DETAILS - EWA ANCHORS

PREPARED BY: BUILDING DROPS, INC.
1900 NE MIAMI COURT, STE. 2-15
MIAMI, FL 33132
PH: (954)399-8478
FAX: (954)744-4738
WEB: www.buildingdrops.com

REMARKS	BY	DATE

THE INSTALLATION DETAILS DESCRIBED HEREIN ARE GENERIC AND MAY NOT REFLECT ACTUAL CONDITIONS FOR A SPECIFIC SITE. IF SITE CONDITIONS CAUSE INSTALLATION TO DEVIATE FROM THE REQUIREMENTS DETAILED HEREIN, A LICENSED ENGINEER OR ARCHITECT SHALL PREPARE SITE SPECIFIC DOCUMENTS FOR USE WITH THIS DOCUMENT.

HERMES F. NORERO
LICENSE
No. 73778
STATE OF FLORIDA
PROFESSIONAL ENGINEER

HERMES F. NORERO, P.E.
BUILDING DROPS, INC.
1900 NE MIAMI COURT # 2-15
MIAMI, FL 33132
FBPE CERT. OF AUTHORIZATION No. 29578

FL46851

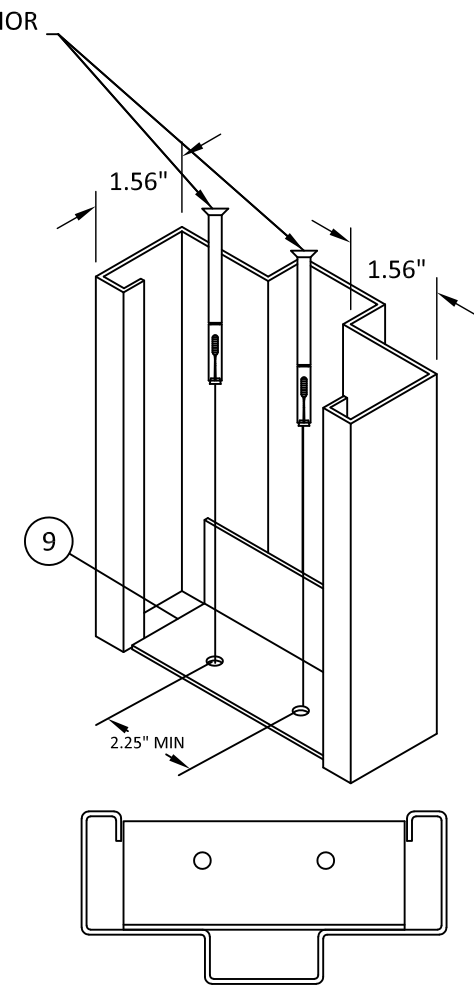
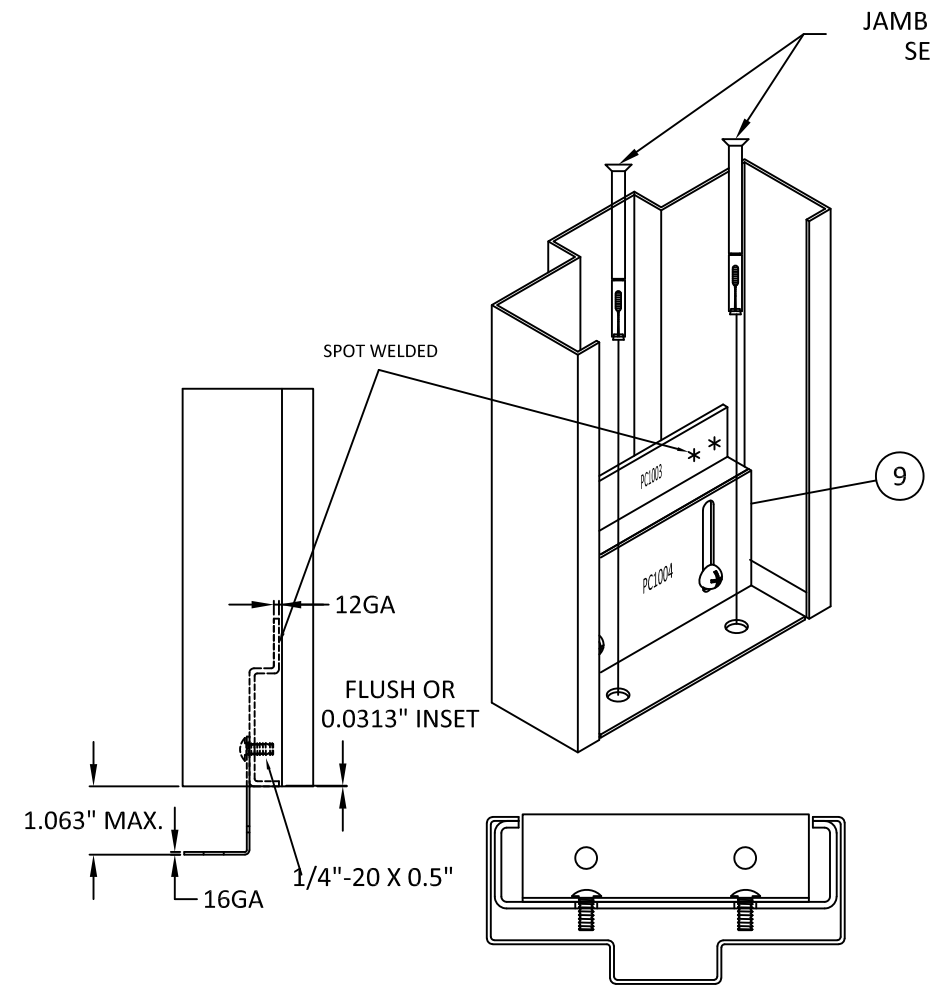
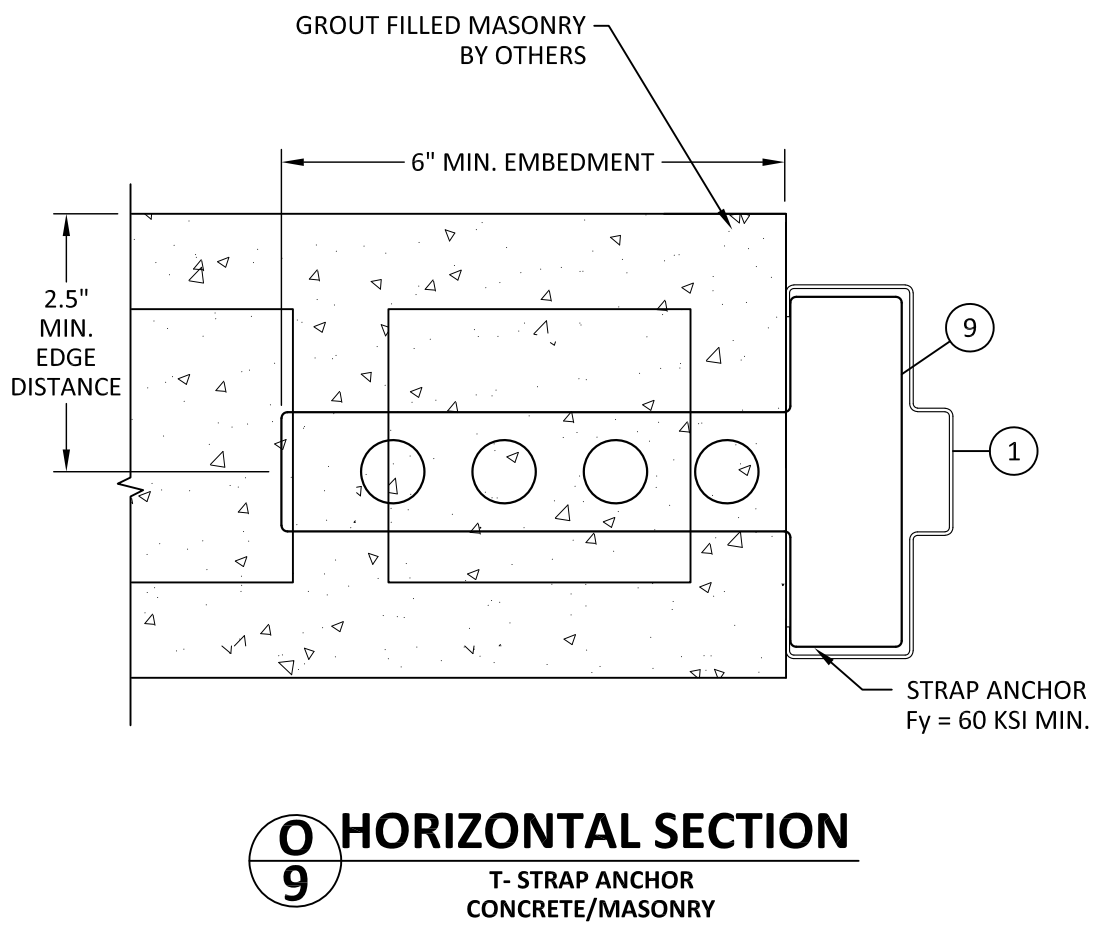
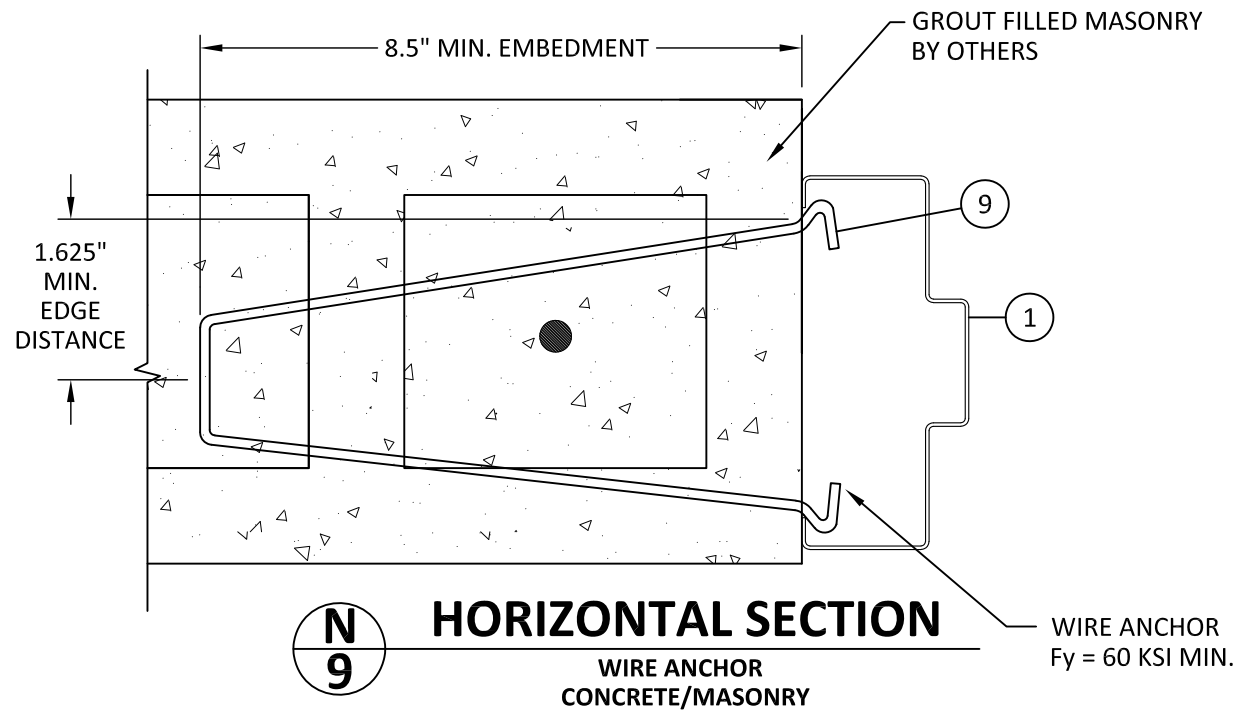
DATE: 06.20.24

DWG. BY: DI CHK. BY: HFN

SCALE: NTS

DWG. #: DLF005

6/21/2024 4:04 PM
c:\users\dyanwata\building_drops - common\projects\de la fontaine\fbc-22-0614.1 - fbc submittal - hollow metal swing door (s-cs)\dwg\inswing glazed\dlf005.dwg



NOTE: WELDED OR ADJUSTABLE BASE ANCHOR TO BE USED WITH T-STRAP, WIRE, COMBINATION & Z ANCHOR ONLY

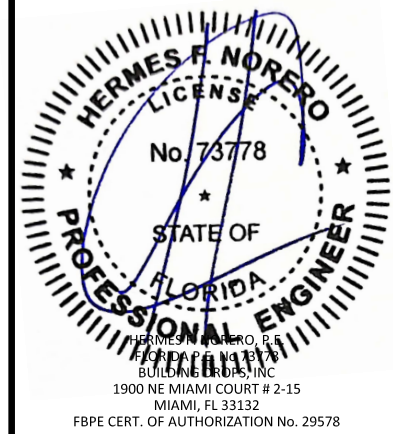
TITLE: INSWING SINGLE GLAZED STEEL DOOR (HVHZ) (IMPACT)

INSTALLATION DETAILS - WIRE/T MASONRY & JAMB BASE ANCHORS

PREPARED BY: BUILDING DROPS, INC.
1900 NE MIAMI COURT, STE. 2-15
MIAMI, FL 33132
PH: (954) 359-8478
FAX: (954) 744-4738
WEB: www.buildingdrops.com

REMARKS	BY	DATE

THE INSTALLATION DETAILS DESCRIBED HEREIN ARE GENERIC AND MAY NOT REFLECT ACTUAL CONDITIONS FOR A SPECIFIC SITE. IF SITE CONDITIONS CAUSE INSTALLATION TO DEVIATE FROM THE REQUIREMENTS DETAILED HEREIN, A LICENSED ENGINEER OR ARCHITECT SHALL PREPARE SITE SPECIFIC DOCUMENTS FOR USE WITH THIS DOCUMENT.



FL46851

DATE: 06.20.24

DWG. BY: DI CHK. BY: HFN

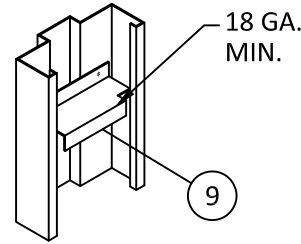
SCALE: NTS

DWG. #: DLF005

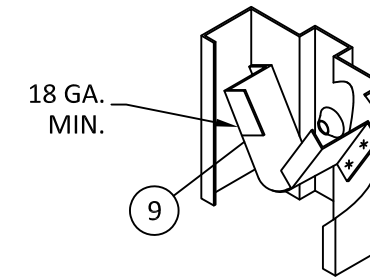
SHEET: 9 OF 16

INSTALLATION NOTES:

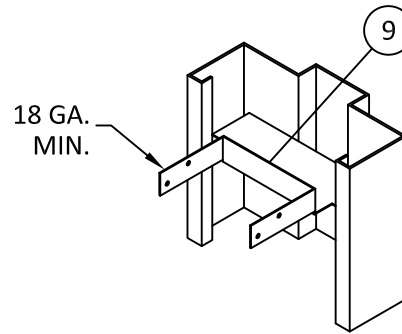
- ONE (1) INSTALLATION ANCHOR IS REQUIRED AT EACH ANCHOR LOCATION SHOWN UNLESS OTHERWISE NOTED.
- THE NUMBER OF INSTALLATION ANCHORS DEPICTED IS THE MINIMUM NUMBER OF ANCHORS TO BE USED FOR PRODUCT INSTALLATION.
- INSTALL INDIVIDUAL INSTALLATION ANCHORS WITHIN A TOLERANCE OF ±1/2 INCH OF THE DEPICTED LOCATION IN THE ANCHOR LAYOUT DETAIL (I.E., WITHOUT CONSIDERATION OF TOLERANCES). TOLERANCES ARE NOT CUMULATIVE FROM ONE INSTALLATION ANCHOR TO THE NEXT.
- SHIM AS REQUIRED AT EACH INSTALLATION ANCHOR WITH LOAD BEARING SHIM(S). MAXIMUM ALLOWABLE SHIM STACK TO BE 1/4 INCH. SHIM WHERE SPACE OF 1/16 INCH OR GREATER OCCURS. SHIM(S) SHALL BE CONSTRUCTED OF HIGH DENSITY PLASTIC OR BETTER.
- MINIMUM EMBEDMENT AND EDGE DISTANCE EXCLUDE WALL FINISHES, INCLUDING BUT NOT LIMITED TO STUCCO, FOAM, BRICK VENEER, AND SIDING.
- INSTALLATION ANCHORS AND ASSOCIATED HARDWARE MUST BE MADE OF CORROSION RESISTANT MATERIAL OR HAVE A CORROSION RESISTANT COATING.
- FOR GROUT FILLED BLOCK, DO NOT INSTALL INSTALLATION ANCHORS INTO MORTAR JOINTS. EDGE DISTANCE IS MEASURED FROM FREE EDGE OF BLOCK OR EDGE OF MORTAR JOINT INTO FACE SHELL OF BLOCK.
- INSTALLATION ANCHORS SHALL BE INSTALLED IN ACCORDANCE WITH ANCHOR MANUFACTURER'S INSTALLATION INSTRUCTIONS, AND ANCHORS SHALL NOT BE USED IN SUBSTRATES WITH STRENGTHS LESS THAN THE MINIMUM STRENGTH SPECIFIED BY THE ANCHOR MANUFACTURER.



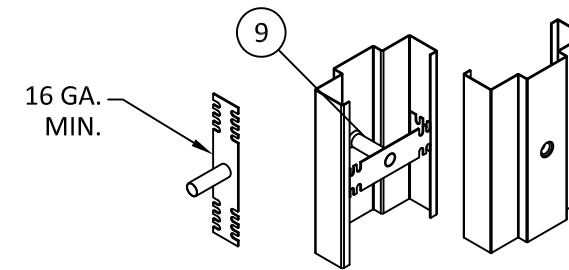
DETAIL CC
Z ANCHOR



DETAIL EE
EXISTING WALL ANCHOR (EWA)



DETAIL DD
COMBINATION WOOD/STEEL STUD ANCHOR



DETAIL FF
EXISTING WALL ANCHOR (EWA) TUBE

EWA TUBE ANCHOR SCHEDULE			
SUBSTRATE	ANCHOR TYPE	MIN. EMBEDMENT	MIN. EDGE DISTANCE
WOOD: MIN. S.G. = 0.55	3/8" LAG SCREW	3"	1"
STEEL: MIN. 18 GA. MIN. Fy = 33 ksi	3/8" GRADE 5 SELF-DRILLING/ SELF-TAPPING SCREW	3 THREADS MIN PENETRATION BEYOND METAL	1/2"
ALUMINUM: MIN. 1/8" THICK MIN. 6063-T5			
CONCRETE: MIN. f'c = 3000 psi	3/8" ITW TAPCON	1-1/2"	2-1/4"
	3/8" ITW DYNABOLT	1-1/2"	2-1/4"
MASONRY: CMU per ASTM C90 MIN. 2000 PSI	3/8" ITW TAPCON	1-1/2"	2-1/4"
	3/8" ITW DYNABOLT	1-1/2"	2-1/4"

Z ANCHOR SCHEDULE			
SUBSTRATE	ANCHOR TYPE	MIN. EMBEDMENT	MIN. EDGE DISTANCE
STEEL: MIN. 18 GA. MIN. Fy = 33 ksi	#10 GRADE 5 SELF-DRILLING/ SELF-TAPPING SCREW	3 THREADS MIN PENETRATION BEYOND METAL	1/2"
ALUMINUM: MIN. 1/8" THICK MIN. 6063-T5			

COMBINATION ANCHOR SCHEDULE			
SUBSTRATE	ANCHOR TYPE	MIN. EMBEDMENT	MIN. EDGE DISTANCE
WOOD: MIN. S.G. = 0.55	#10 WOOD SCREW	1-1/2"	1/2"
STEEL: MIN. 18 GA. MIN. Fy = 33 ksi	#10 GRADE 5 SELF-DRILLING/ SELF-TAPPING SCREW	3 THREADS MIN PENETRATION BEYOND METAL	1/2"
ALUMINUM: MIN. 1/8" THICK MIN. 6063-T5			

TITLE: INSWING SINGLE GLAZED
STEEL DOOR
(HVHZ) (IMPACT)

INSTALLATION DETAILS & NOTES

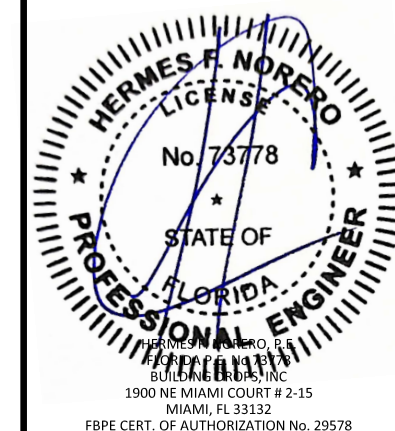
PREPARED BY: BUILDING DROPS, INC.

1900 NE MIAMI COURT, STE. 2-15
MIAMI, FL 33132
PH: (954) 399-8478
FAX: (954) 744-4738
WEB: www.buildingdrops.com



REMARKS	BY	DATE

THE INSTALLATION DETAILS DESCRIBED HEREIN ARE GENERIC AND MAY NOT REFLECT ACTUAL CONDITIONS FOR A SPECIFIC SITE. IF SITE CONDITIONS CAUSE INSTALLATION TO DEVIATE FROM THE REQUIREMENTS DETAILED HEREIN, A LICENSED ENGINEER OR ARCHITECT SHALL PREPARE SITE SPECIFIC DOCUMENTS FOR USE WITH THIS DOCUMENT.



FL46851

DATE: 06.20.24

DWG. BY: DI CHK. BY: HFN

SCALE: NTS

DWG. #: DLF005

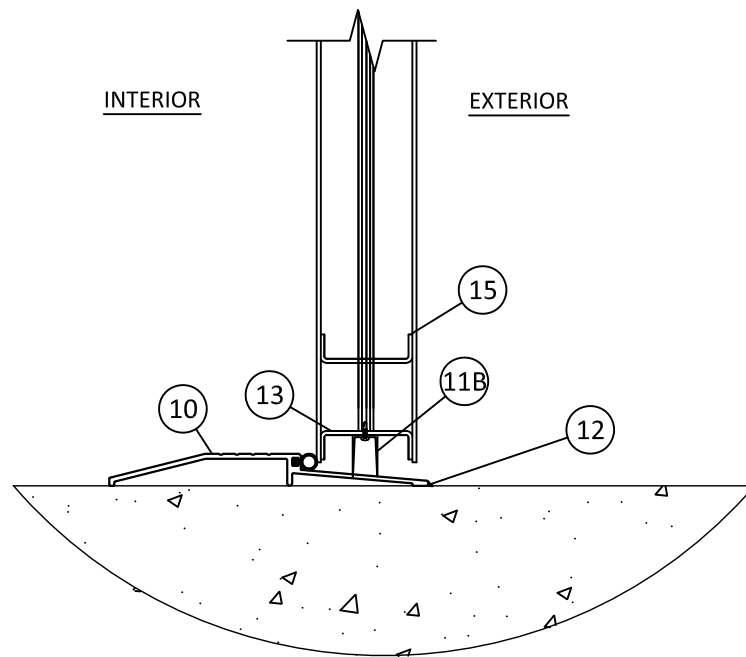
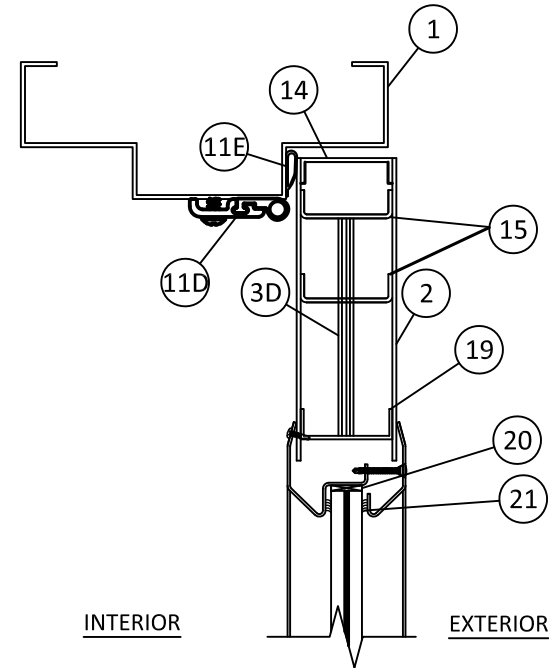
SHEET:

10

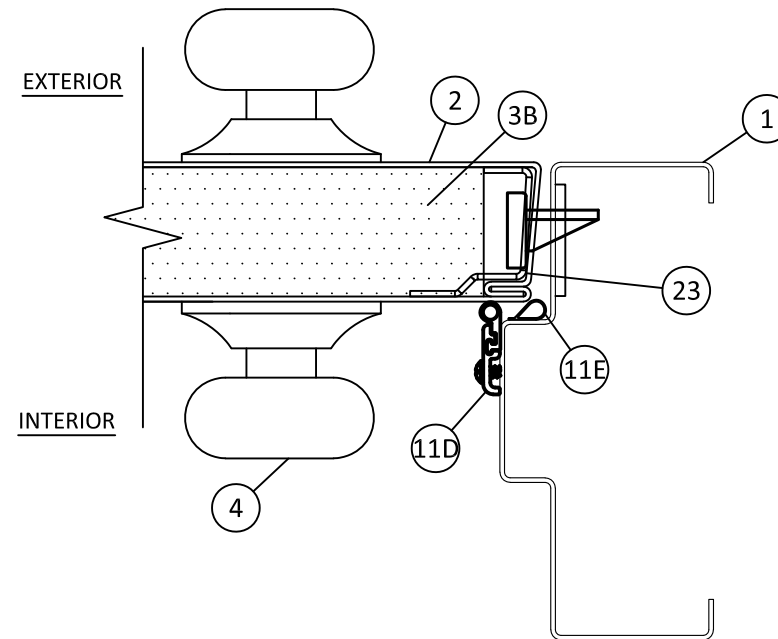
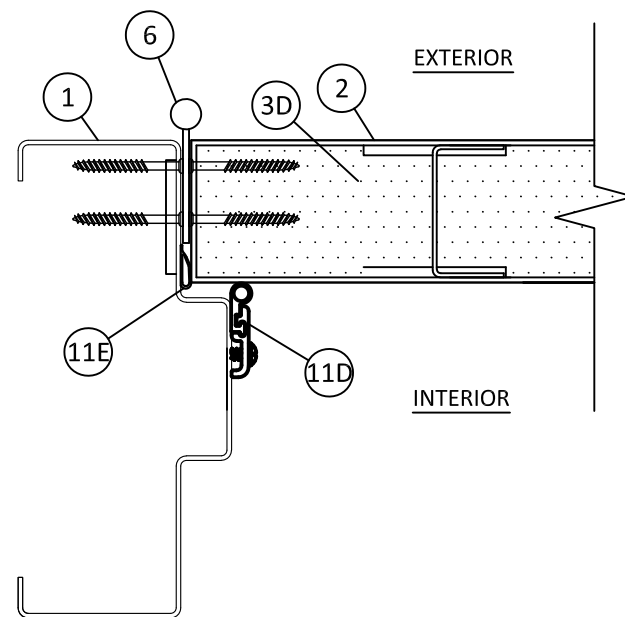
OF 16

c:\users\dyanawata\building_drops, inc\building_drops landing - common\projects\de la fontaine\fbc-22-0614.1 - fbc submittal - hollow metal swing door (hollow metal glazed)\dlf005.dwg 6/21/2024 4:04 PM

GASKETING DETAILS FOR AIR INFILTRATION



P 12 VERTICAL SECTION
AIR INFILTRATION



Q 12 HORIZONTAL SECTION
AIR INFILTRATION

- NOTE:**
1. SEAL ALL JOINTS WHERE FRAME MEETS WALL WITH BUTYL RUBBER OR SILICONE CAULK.
 2. INSTALL THRESHOLD INTO BEAD OF BUTYL RUBBER OR SILICONE CAULK.



4115 BRODEUR STREET
SHERBROOKE, QC J1L1K4
PH: (819) 821-9230 FX: (819) 569-5928

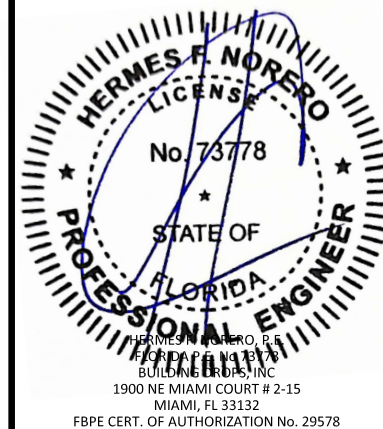
TITLE: INSWING SINGLE GLAZED
STEEL DOOR
(HVHZ) (IMPACT)
GASKETING DETAILS FOR
AIR INFILTRATION

PREPARED BY:
BUILDING DROPS, INC.
1900 NE MIAMI COURT, STE. 2-15
MIAMI, FL 33132
PH: (954) 359-8478
FAX: (954) 744-4738
WEB: www.buildingdrops.com



REMARKS	BY	DATE

THE INSTALLATION DETAILS DESCRIBED HEREIN ARE GENERIC AND MAY NOT REFLECT ACTUAL CONDITIONS FOR A SPECIFIC SITE. IF SITE CONDITIONS CAUSE INSTALLATION TO DEVIATE FROM THE REQUIREMENTS DETAILED HEREIN, A LICENSED ENGINEER OR ARCHITECT SHALL PREPARE SITE SPECIFIC DOCUMENTS FOR USE WITH THIS DOCUMENT.



FL46851

DATE: 06.20.24

DWG. BY: DI CHK. BY: HFN

SCALE: NTS

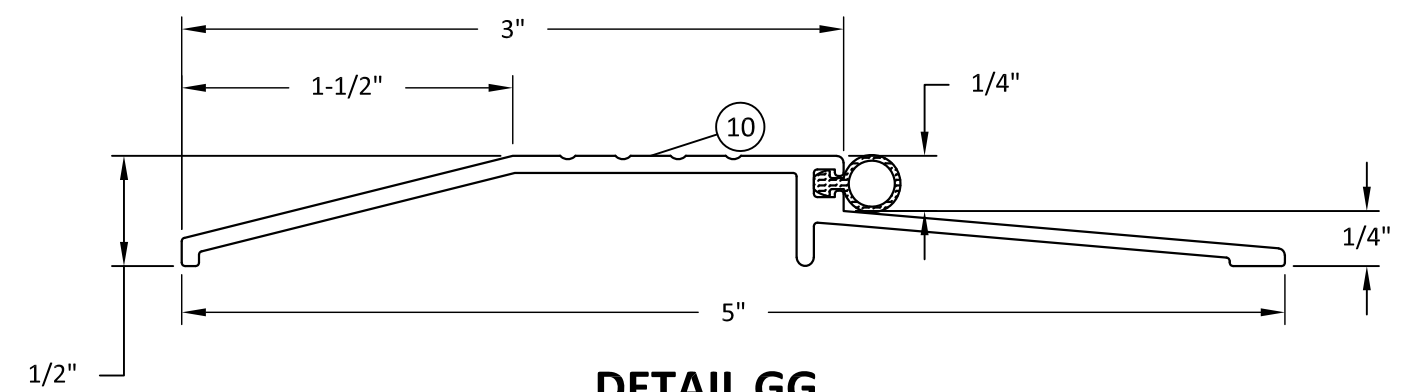
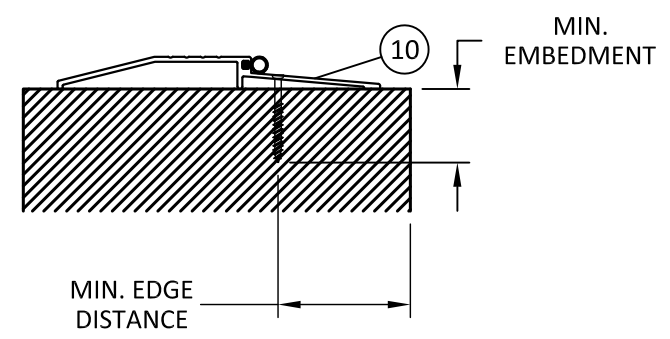
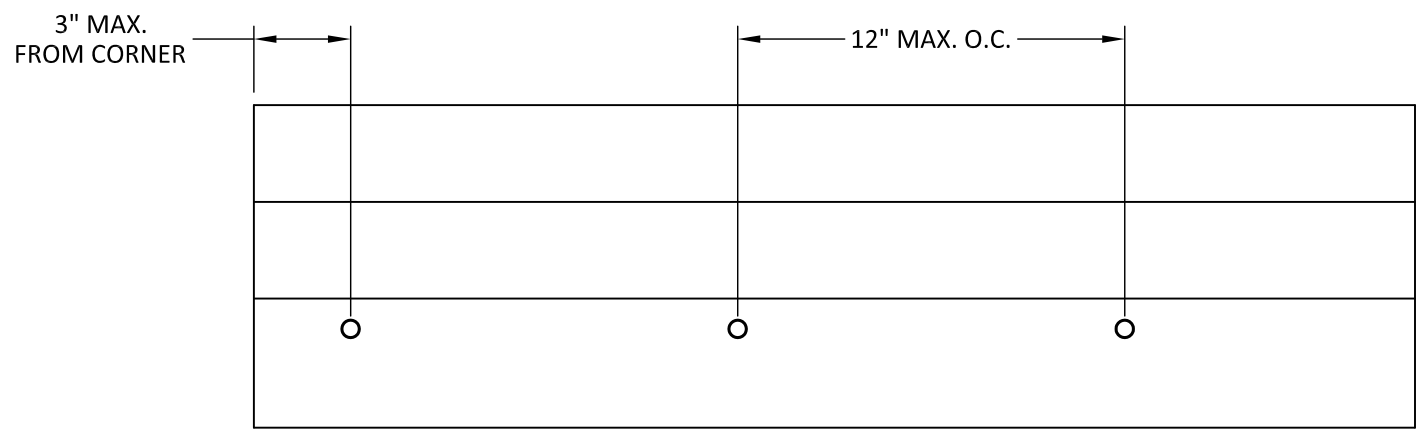
DWG. #: DLF005

SHEET: 11

OF 16

c:\users\dylanwata\building_drops, inc\building drops landing - common\projects\de la fontaine\fbc-22-0614.1 - fbc submittal - hollow metal swing door is-cs\dwg\inswing glazed\dlf005.dwg 6/21/2024 4:04 PM

THRESHOLD ANCHOR SCHEDULE			
SUBSTRATE	ANCHOR TYPE	MIN. EMBEDMENT	MIN. EDGE DISTANCE
WOOD: MIN. S.G. = 0.55	#14 WOOD SCREW	1-1/2"	3/4"
CONCRETE: MIN. f'c = 3000 psi	1/4" ITW TAPCON	1-1/4"	2-1/2"



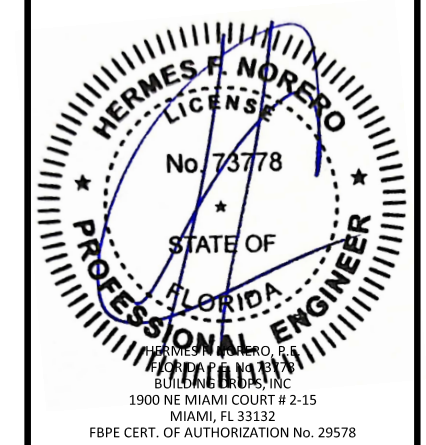
DETAIL GG
NGP 950N THRESHOLD

TITLE: INSWING SINGLE GLAZED STEEL DOOR (HVHZ) (IMPACT)
THRESHOLD DETAIL & ANCHOR LAYOUT

PREPARED BY: BUILDING DROPS, INC.
1900 NE MIAMI COURT, STE. 2-15
MIAMI, FL 33132
PH: (954)399-8478
FAX: (954)744-4738
WEB: www.buildingdrops.com

REMARKS	BY	DATE

THE INSTALLATION DETAILS DESCRIBED HEREIN ARE GENERIC AND MAY NOT REFLECT ACTUAL CONDITIONS FOR A SPECIFIC SITE. IF SITE CONDITIONS CAUSE INSTALLATION TO DEVIATE FROM THE REQUIREMENTS DETAILED HEREIN, A LICENSED ENGINEER OR ARCHITECT SHALL PREPARE SITE SPECIFIC DOCUMENTS FOR USE WITH THIS DOCUMENT.

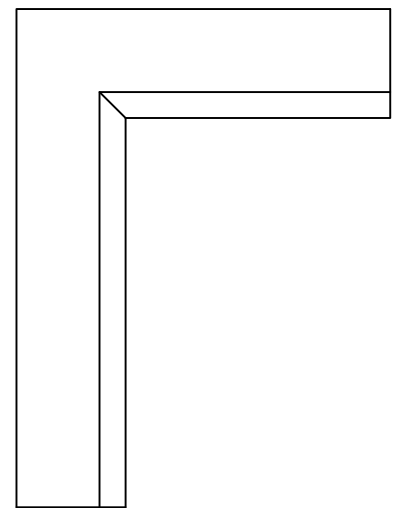
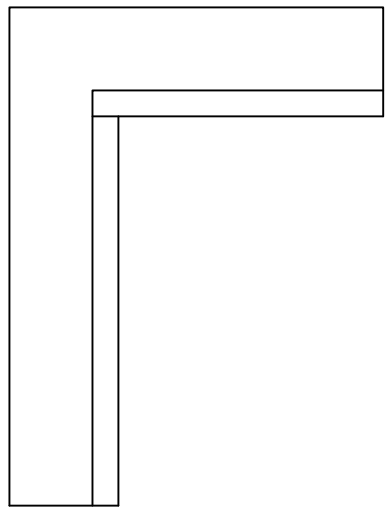
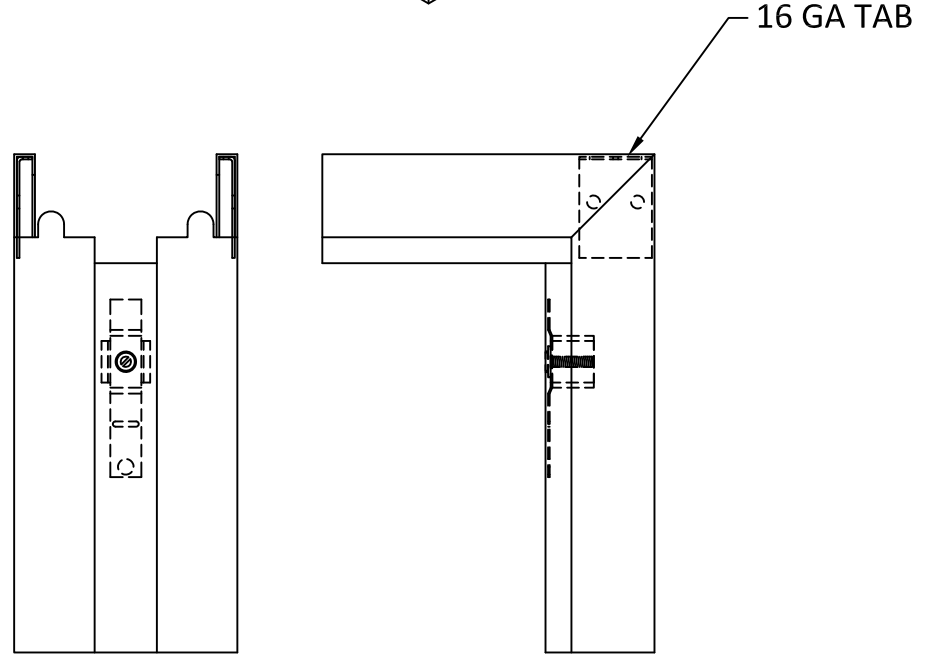
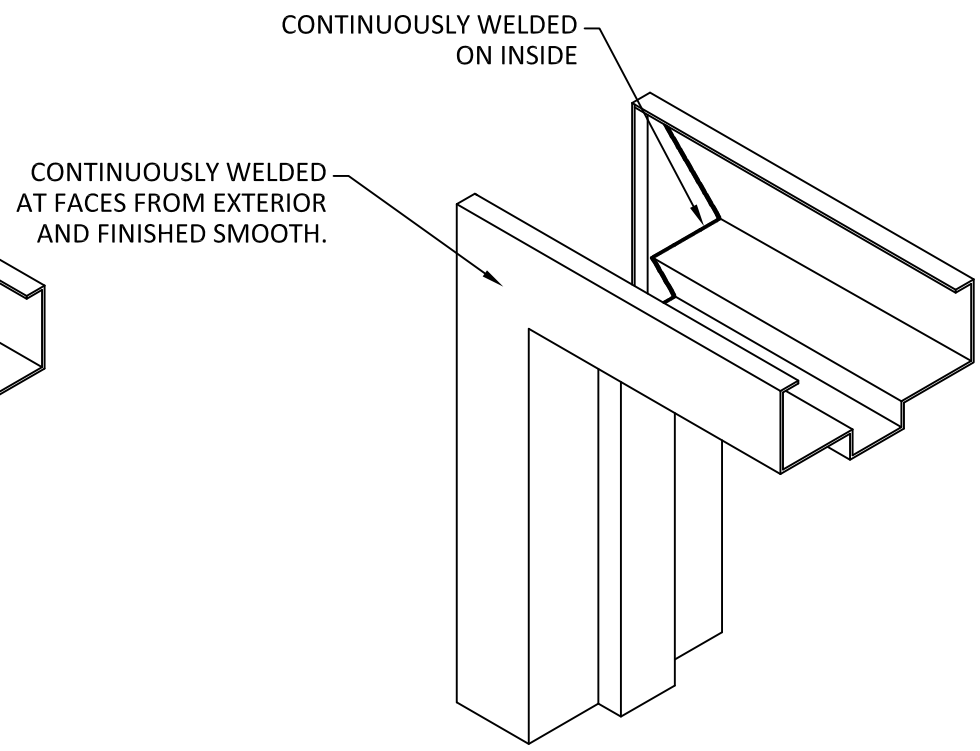
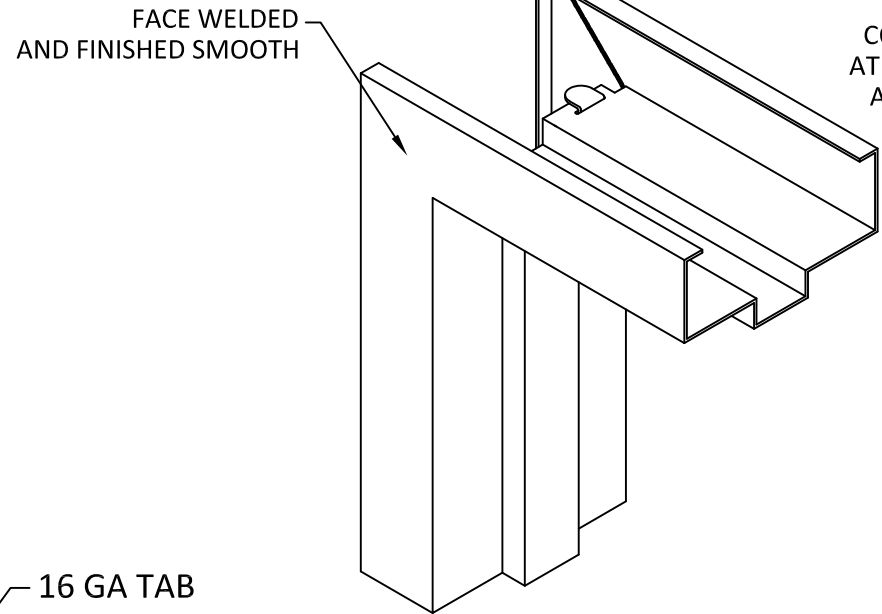
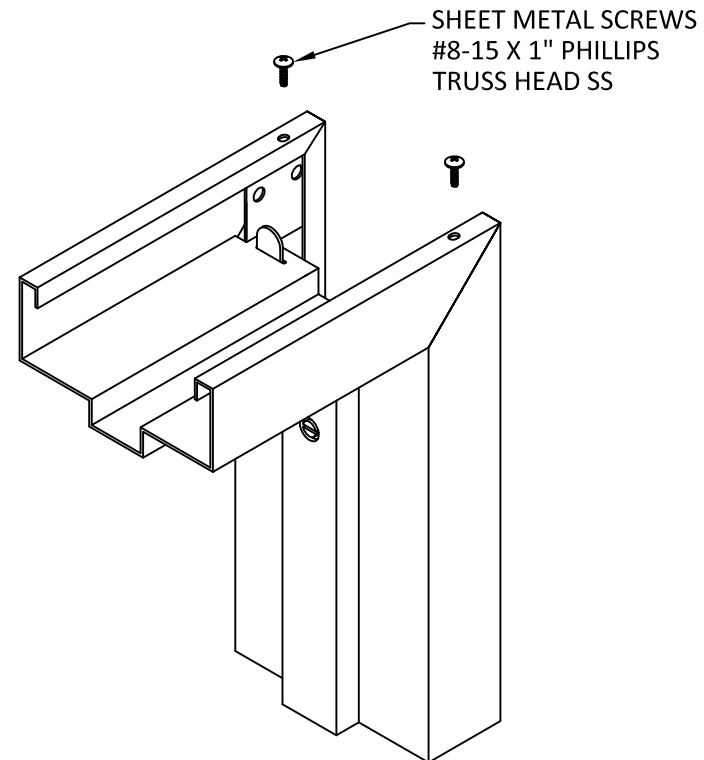


FL46851

DATE: 06.20.24
DWG. BY: DI CHK. BY: HFN
SCALE: NTS
DWG. #: DLF005

SHEET: 12 OF 16

c:\users\dylanwata\building_drops, inc\building_drops landing - common\projects\de la fontaine\fbc-22-0614.1 - fbc submittal - hollow metal swing door is-cs\dwg\inswing_glazed\dlf005.dwg 6/21/2024 4:04 PM



DETAIL HH
KNOCK DOWN CORNER CONSTRUCTION

DETAIL II
FACE WELDED CORNER CONSTRUCTION

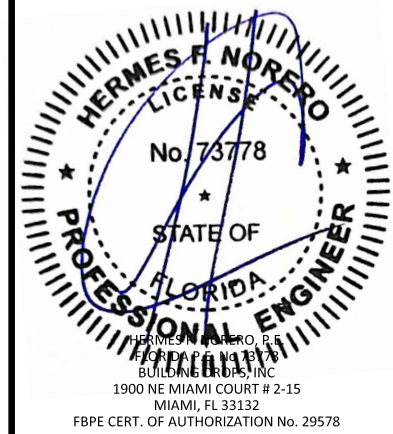
DETAIL JJ
FULLY WELDED CORNER CONSTRUCTION

TITLE: INSWING SINGLE GLAZED
STEEL DOOR
(HVHZ) (IMPACT)
CORNER CONSTRUCTION

PREPARED BY:
BUILDING DROPS, INC.
1900 NE MIAMI COURT, STE. 2-15
MIAMI, FL 33132
PH: (954)399-8478
FAX: (954)744-4738
WEB: www.buildingdrops.com

REMARKS	BY	DATE

THE INSTALLATION DETAILS DESCRIBED HEREIN ARE GENERIC AND MAY NOT REFLECT ACTUAL CONDITIONS FOR A SPECIFIC SITE. IF SITE CONDITIONS CAUSE INSTALLATION TO DEVIATE FROM THE REQUIREMENTS DETAILED HEREIN, A LICENSED ENGINEER OR ARCHITECT SHALL PREPARE SITE SPECIFIC DOCUMENTS FOR USE WITH THIS DOCUMENT.



FL46851

DATE: 06.20.24

DWG. BY: DI CHK. BY: HFN

SCALE: NTS

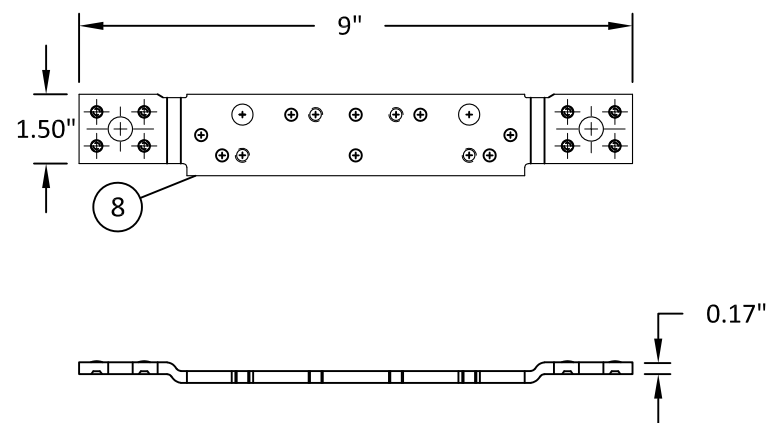
DWG. #: DLF005

SHEET:

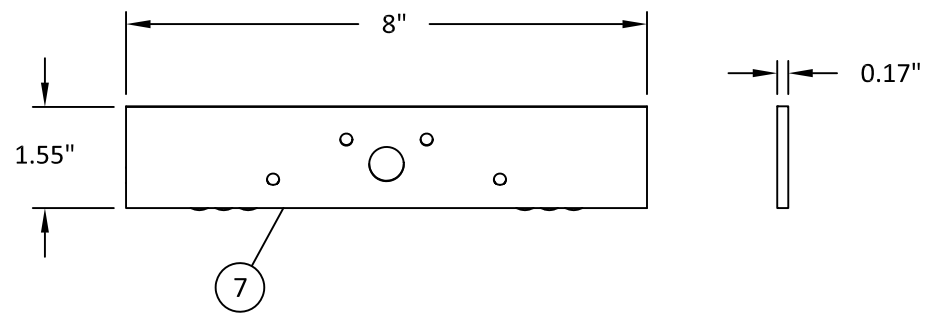
13

OF 16

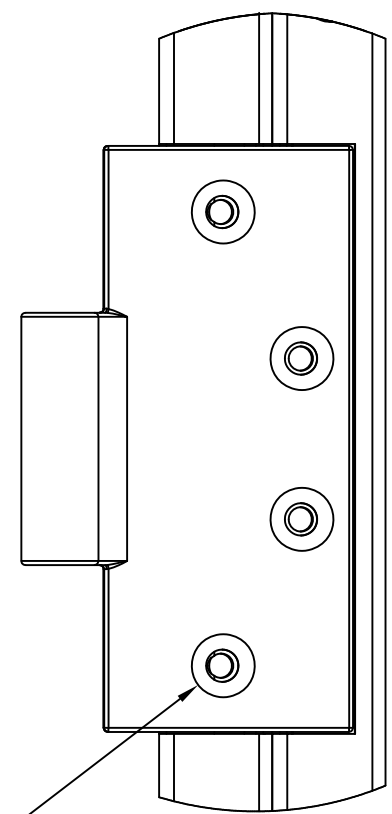
c:\users\dylanwata\building_drops, inc\building_drops landing - common\projects\de la fontaine\fbc-22-0614.1 - fbc submittal - hollow metal swing door (s-cs)\dwg\inswing_glazed\dlf005.dwg 6/21/2024 4:04 PM



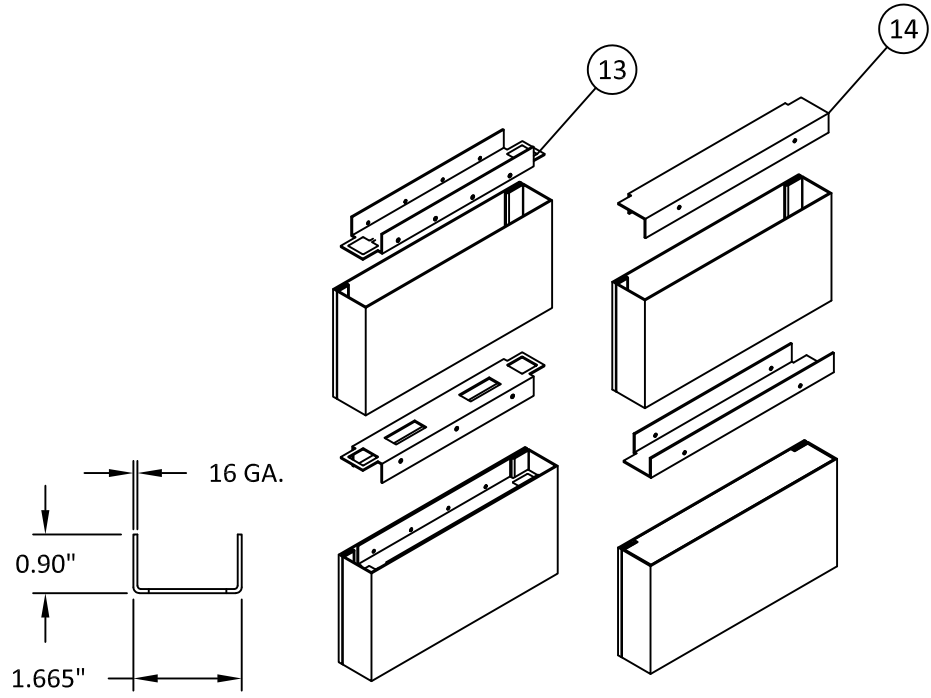
DETAIL KK
FRAME HINGE REINFORCEMENT



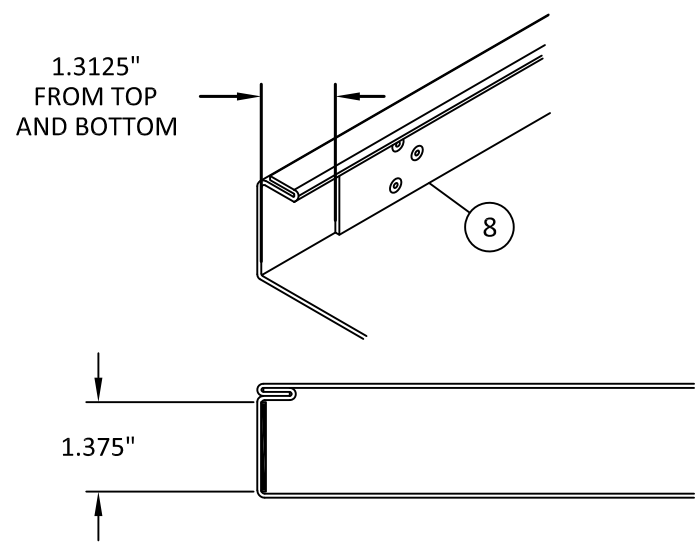
DETAIL LL
DOOR HINGE REINFORCEMENT
AND HINGE DETAIL



ATTACHED WITH FOUR (4) #12 ASSEMBLY SCREWS



DETAIL MM
END CHANNEL REINFORCEMENTS



DETAIL NN
DOOR & FRAME CONTINUOUS HINGE REINFORCEMENT
(OPTIONAL)

TITLE: INSWING SINGLE GLAZED STEEL DOOR (HVHZ) (IMPACT) REINFORCEMENTS

PREPARED BY: BUILDING DROPS, INC.
1900 NE MIAMI COURT, STE. 2-15
MIAMI, FL 33132
PH: (954)399-8478
FAX: (954)744-4738
WEB: www.buildingdrops.com

REMARKS	BY	DATE

THE INSTALLATION DETAILS DESCRIBED HEREIN ARE GENERIC AND MAY NOT REFLECT ACTUAL CONDITIONS FOR A SPECIFIC SITE. IF SITE CONDITIONS CAUSE INSTALLATION TO DEVIATE FROM THE REQUIREMENTS DETAILED HEREIN, A LICENSED ENGINEER OR ARCHITECT SHALL PREPARE SITE SPECIFIC DOCUMENTS FOR USE WITH THIS DOCUMENT.

HERMES F. NORERO
LICENSE
No. 73778
STATE OF
FLORIDA
PROFESSIONAL ENGINEER

HERMES F. NORERO, P.E.
FLORIDA PROFESSIONAL ENGINEER
BUILDING DROPS, INC.
1900 NE MIAMI COURT # 2-15
MIAMI, FL 33132
FBPE CERT. OF AUTHORIZATION No. 29578

FL46851

DATE: 06.20.24

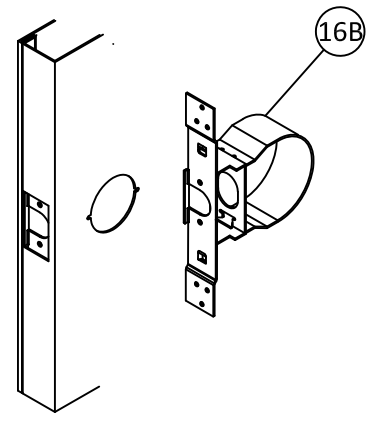
DWG. BY: DI CHK. BY: HFN

SCALE: NTS

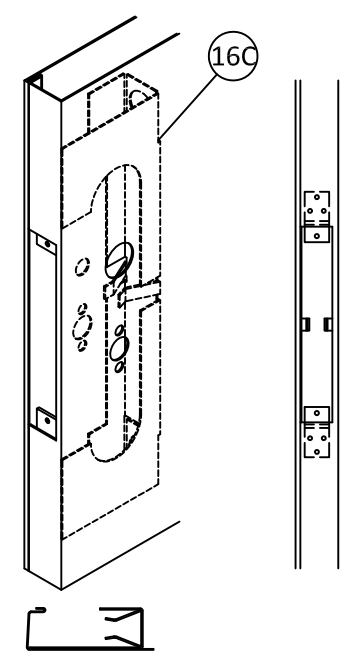
DWG. #: DLF005

SHEET: 14 OF 14

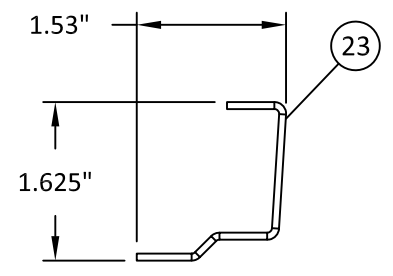
c:\users\dyanawata\building_drops, inc\building drops landing - common\projects\de la fontaine\fbc-22-0614.1 - fbc submittal - hollow metal swing door (s-cs)\dwgs\inswing glazed\dlf005.dwg 6/21/2024 4:04 PM



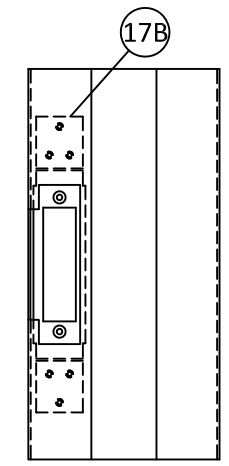
DETAIL OO
CYLINDRICAL LOCK REINFORCEMENT



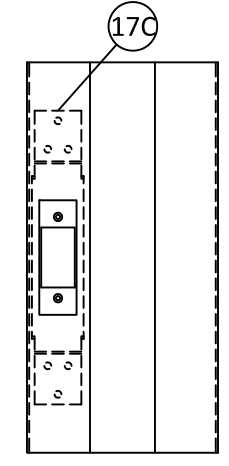
DETAIL PP
MORTISE LOCK REINFORCEMENT



DETAIL QQ
LOCK STILE REINFORCEMENT



DETAIL RR
CYLINDRICAL LOCK
STRIKE REINFORCEMENT



DETAIL SS
MORTISE LOCK
STRIKE REINFORCEMENT

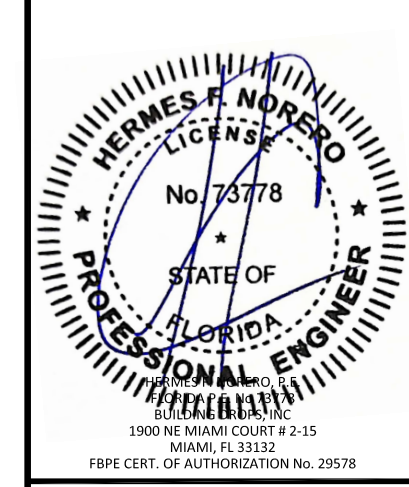
TITLE: INSWING SINGLE GLAZED
STEEL DOOR
(HVHZ) (IMPACT)
REINFORCEMENTS

PREPARED BY:
BUILDING DROPS, INC.
1900 NE MIAMI COURT, STE. 2-15
MIAMI, FL 33132
PH: (954) 359-8478
FAX: (954) 744-4738
WEB: www.buildingdrops.com



REMARKS	BY	DATE

THE INSTALLATION DETAILS DESCRIBED HEREIN ARE GENERIC AND MAY NOT REFLECT ACTUAL CONDITIONS FOR A SPECIFIC SITE. IF SITE CONDITIONS CAUSE INSTALLATION TO DEVIATE FROM THE REQUIREMENTS DETAILED HEREIN, A LICENSED ENGINEER OR ARCHITECT SHALL PREPARE SITE SPECIFIC DOCUMENTS FOR USE WITH THIS DOCUMENT.



FL46851

DATE: 06.20.24

DWG. BY: DI CHK. BY: HFN

SCALE: NTS

DWG. #: DLF005

SHEET:
15
OF 16

